

This manual should be considered a permanent part of the motorcycle and should remain with the motorcycle when it is resold.

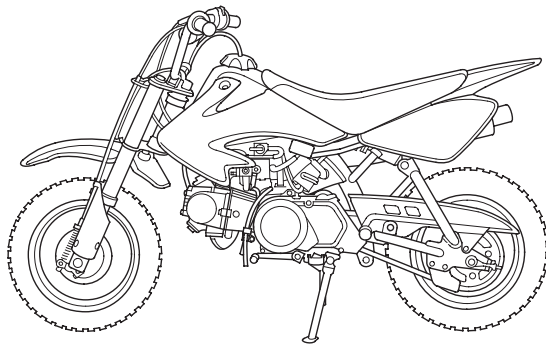
This publication includes the latest production information available before printing. Honda Motor Co., Ltd. reserves the right to make changes at any time without notice and without incurring any obligation.

No part of this publication may be reproduced without written permission.

The vehicle pictured on the front cover may not match your vehicle.

© Honda Motor Co., Ltd. 2006

**2007
Honda CRF50F
OWNER'S MANUAL**



FOR OFF-ROAD USE ONLY

This vehicle is designed and manufactured for off-road use only.

USA only:

It conforms to US EPA Noise Emission regulations, but does not conform to Federal Motor Vehicle Safety Standards or US EPA On Highway Exhaust Emission regulations, and operation on public streets, roads, or highways is illegal. The vehicle is equipped with a USDA qualified spark arrester. Obey local laws and regulations.

It conforms to US EPA and California exhaust emission regulations for off-road motorcycles.


A Few Words About Safety

Your safety, and the safety of others, is very important. And operating this motorcycle safely is an important responsibility.

To help you make informed decisions about safety, we have provided operating procedures and other information on labels and in this manual. This information alerts you to potential hazards that could hurt you or others.

Of course, it is not practical or possible to warn you about all hazards associated with operating or maintaining a motorcycle. You must use your own good judgment.

You will find important safety information in a variety of forms, including:

- **Safety Labels** — on the motorcycle.
- **Safety Messages** — preceded by a safety alert symbol  and one of three signal words: **DANGER, WARNING, or CAUTION.**

These signal words mean:

Safety Messages

A Few Words About Safety

DANGER

You **WILL** be **KILLED** or **SERIOUSLY HURT** if you don't follow instructions.

WARNING

You **CAN** be **KILLED** or **SERIOUSLY HURT** if you don't follow instructions.

CAUTION

You **CAN** be **HURT** if you don't follow instructions.

- **Safety Headings** — such as Important Safety Reminders or Important Safety Precautions.
- **Safety Section** — such as Motorcycle Safety.
- **Instructions** — how to use this motorcycle correctly and safely.

This entire book is filled with important safety information — please read it carefully.

Contents

These pages give an overview of the contents of your owner's manual. The first page of each section lists the topics covered in that section.

Introduction

Motorcycle Safety 1

Important safety information, a special message for parents, precautions about loading, accessories, and modifications, and the location of safety labels.

Operating Controls 13

The location, function, and operation of the throttle, brakes, and other basic controls.

Before Riding 23

The importance of wearing a helmet and other protective gear, plus how to make sure you and your motorcycle are ready to ride.

Basic Operation & Riding 29

How to start and stop the engine, shift gears, and brake. Also, riding precautions.

Servicing Your Honda 41

Why your motorcycle needs regular maintenance, what you need to know before servicing your Honda, a maintenance schedule, and instructions for specific maintenance items.

Contents

| | |
|---|------------|
| Tips | 111 |
| How to transport and store your motorcycle, and how to be an environmentally-responsible rider. | |
| Taking Care of the Unexpected..... | 121 |
| What to do if you have a flat tire, your engine won't start, etc. | |
| Technical Information..... | 129 |
| ID numbers, technical specifications, and other technical facts. | |
| Consumer Information | 145 |
| Information on warranties and how to get Honda service manuals. | |
| Table of Contents..... | 154 |
| Sequential listing of topics in this owner's manual. | |

| | |
|-------------------|------------|
| Index..... | 158 |
|-------------------|------------|

Quick Reference

Handy facts about fuel, engine oil, tire sizes, and air pressures.

Introduction

Congratulations on choosing your Honda off-road motorcycle.

When you own a Honda, you're part of a worldwide family of satisfied customers — people who appreciate Honda's reputation for building quality into every product.

Your Honda was designed as a recreational motorcycle for off-road use by one rider only. It's an ideal bike for younger, beginning riders.

Before riding, take time to get acquainted with your motorcycle and how it works. To protect your investment, we urge you to take responsibility for keeping your motorcycle well maintained. Scheduled service is a must, of course. But it's just as important to observe the break-in guidelines, and perform all the pre-ride and other periodic checks detailed in this manual.

We also recommend that you read the owner's manual before you ride. It's full of facts, instructions, safety information, and helpful tips. To make it easy to use, the manual contains a table of contents, a detailed list of topics at the beginning of each section, and an index at the back of the book.

As you read this manual, you will find information that is preceded by a **NOTICE** symbol. This information is intended to help you avoid damage to your Honda, other property, or the environment.

Read the Warranties Booklet (page 149) thoroughly so you understand the coverages that protect your new Honda and are aware of your rights and responsibilities.

Introduction

Whenever you ride, tread lightly. By staying on established trails and riding only in approved areas, you help protect the environment and keep off-road riding areas open for the future.

If you have any questions, or if you ever need a special service or repairs, remember that your Honda dealer knows your motorcycle best and is dedicated to your complete satisfaction.

Please report any change of address or ownership to your Honda dealer so we will be able to contact you concerning important production information.

You may also want to visit our website at www.honda.com.

Happy riding!

California Proposition 65 Warning

WARNING: This product contains or emits chemicals known to the State of California to cause cancer and birth defects or other reproductive harm.

Motorcycle Safety

This section presents some of the most important information and recommendations to help you ride your motorcycle safely. Please take a few moments to read these pages. This section also includes a special message for parents and location information for the safety labels on your motorcycle.

| | |
|--|----|
| Important Safety Information | 2 |
| Important Message to Parents | 5 |
| Loading, Accessories & Modifications | 8 |
| Loading | 8 |
| Accessories & Modifications..... | 10 |
| Safety Labels..... | 12 |

Important Safety Information

Your motorcycle can provide many years of service and pleasure — if you take responsibility for your own safety and understand the challenges you can meet while riding.

This motorcycle has been designed for younger riders. However, not all youngsters are physically or emotionally ready to ride. Therefore, before parents allow any youngster to ride this motorcycle, we urge them to carefully read the *Important Message to Parents* beginning on page 5 and the *Parents, Youngsters and Off-Highway Motorcycles* booklet that came with the motorcycle (USA only).

There is much that you can do to protect yourself when you ride. You'll find many helpful recommendations throughout this manual. The following are a few that we consider most important.

Always Wear a Helmet

It's a proven fact: helmets significantly reduce the number and severity of head injuries. So always wear an approved motorcycle helmet. We also recommend that you wear eye protection, sturdy boots, gloves, and other protective gear (page 24).

Never Carry a Passenger

Your motorcycle is designed for one person only. There are no handholds, footrests, or seat for a second person — so never carry a passenger. A passenger could interfere with your ability to move around to maintain your balance and control of the motorcycle.

Important Safety Information

Ride Off-Road Only

Your motorcycle is designed and manufactured for off-road use only. The tires are not made for pavement, and the motorcycle does not have turn signals and other features required for use on public roads. If you need to cross a paved or public road, get off and walk your motorcycle across.

Take Time to Learn and Practice

Developing off-road riding skills is a gradual, step-by-step process. Start by practicing at low speeds in a safe area and slowly build your skills. Personal instruction from an experienced rider can also be valuable.

If you need assistance, ask your dealer about riding groups in your area.

Also be sure to read the *Tips & Practice Guide for the Off-Highway Motorcyclist* booklet that came with your motorcycle (USA only).

Be Alert for Off-Road Hazards

The terrain can present a variety of challenges when you ride off-road. Continually “read” the terrain for unexpected turns, drop-offs, rocks, ruts, and other hazards. Always keep your speed low enough to allow time to see and react to hazards.

Ride within Your Limits

Pushing limits is another major cause of motorcycle accidents. Never ride beyond your personal abilities or faster than conditions warrant. Remember that alcohol, drugs, fatigue, and inattention can significantly reduce your ability to make good judgments and ride safely.

Important Safety Information

Don't Drink and Ride

Alcohol and riding don't mix. Even one drink can reduce your ability to respond to changing conditions, and your reaction time gets worse with every additional drink. So don't drink and ride, and don't let your friends drink and ride either.

Keep Your Honda in Safe Condition

It's important to keep your motorcycle properly maintained and in safe riding condition. Having a breakdown can be difficult, especially if you are stranded off-road far from your base. To help avoid problems, inspect your motorcycle before every ride and perform all recommended maintenance.

Important Message to Parents

Your child's safety is very important to Honda. That's why we urge you to read this message before you let any young person ride this motorcycle. Off-road riding can be fun. But, as with riding a bicycle, bad judgment can result in injury, and we don't want that to happen! As a parent, you can help prevent accidents by making good decisions about if, when, and how your youngster rides this motorcycle.

Riding Readiness

The first decision you'll need to make is whether your youngster is ready to ride. Riding readiness varies widely from one person to another, and age and size are not the only factors.

PHYSICAL ABILITY is an important consideration. For example, riders must be big enough to hold the motorcycle up, get on, and comfortably sit on the seat with both feet touching the ground. They should also be able to easily reach and work the brakes, throttle, and all other controls.

ATHLETIC ABILITY is necessary for riding a motorcycle. Generally speaking, your youngster should be good at riding a bicycle before getting on a motorcycle. Can your youngster judge speeds and distances while riding a bicycle and react with proper hand and foot actions? Anyone who does not have good coordination, balance, and agility is not ready to ride this motorcycle.

Important Message to Parents

MENTAL AND EMOTIONAL MATURITY are requirements for safe riding. Does your youngster think through problems and come to logical solutions? On a bicycle, does your youngster obey safe riding rules? Be honest! Young people who take unnecessary risks, make bad judgments, and don't obey rules are not ready to ride this motorcycle.

Instruction and Supervision

If you decide that your youngster is ready to safely operate this motorcycle, make sure both of you carefully read and understand the owner's manual before riding. Also be sure that your youngster has a helmet and other appropriate riding equipment and always wears it when operating the vehicle or sitting on it.

GOOD INSTRUCTION is an important part of hands-on training. The teacher can either be you or another responsible adult who has experience with off-road motorcycle riding. (For help in finding a qualified instructor, talk with your Honda dealer.) Even if you're not the main teacher, it's up to you to ensure your youngster's safety. Remember, learning to ride a motorcycle is a gradual, step-by-step process. It takes time, patience, and practice — many hours over a period of weeks or months.

To help your youngster build confidence as they're learning to ride, this Honda was delivered with a speed restrictor that limits top speed. We recommend that all beginning riders start off with the speed restrictor installed. It may be adjusted to gradually increase maximum speed as the beginner becomes more familiar with riding their Honda motorcycle. For adjustment and removal instructions, see page 71.

Important Message to Parents

SUPERVISION is another important obligation of parents. Even after youngsters have become skilled off-road riders, they should always ride with adult supervision. It helps to regularly remind young riders of basic safety rules and precautions. And remember, it's your responsibility to see that the motorcycle is properly maintained and kept in safe operating condition.

SAFE AND RESPONSIBLE RIDING must be an on-going commitment—by you and your youngster. When you both put safety first, you can enjoy more peace of mind, and your youngster can enjoy more hours of safe off-road riding.

For your convenience, this CRF50F comes with an ignition switch and key. Remove the key when the motorcycle is parked to help prevent unauthorized use.

Loading, Accessories & Modifications

Your Honda was designed as a rider-only motorcycle. It was not designed to carry a passenger or cargo. A passenger or cargo could interfere with your ability to move around to maintain your balance and control of the motorcycle.

In addition, exceeding the weight limits or carrying an unbalanced load can seriously affect your motorcycle's handling, braking, and stability. Adding accessories or making modifications that change this motorcycle's design and performance can also make it unsafe. Also, the weight of any accessories will reduce the maximum load the motorcycle can carry.

More specific information on load limits, accessories, and modifications follows.

Loading

How much weight you put on your motorcycle, and how you load it, are important to your safety. If you decide to carry cargo, you should be aware of the following information.

WARNING

Overloading or carrying a passenger can cause a crash and you can be seriously hurt or killed.

Follow all load limits and other loading guidelines in this manual.

Loading, Accessories & Modifications

Load Limits

Following are the load limits for your motorcycle:

Maximum weight capacity

= 88 lbs (40 kg)

Includes the weight of the rider and any accessories.

Loading Guidelines

As discussed on page 8, we recommend that you do not carry any cargo on this motorcycle. However, if you decide to carry cargo, ride at reduced speeds and follow these common-sense guidelines:

- Keep cargo small and light. Make sure it cannot easily be caught on brush or other objects, and that it does not interfere with your ability to shift position to maintain balance and stability.

- Place weight as close to the center of the motorcycle as possible.
- Do not attach large or heavy items (such as a sleeping bag or tent) to the handlebar, fork, or front fender.
- Make sure that all cargo is tied down securely.
- Never exceed the maximum weight limit.
- Check that both tires are inflated properly.

Loading, Accessories & Modifications

Accessories & Modifications

Modifying your motorcycle or using non-Honda accessories can make your motorcycle unsafe.

Before you consider making any modifications or adding an accessory, be sure to read the following information.

WARNING

Improper accessories or modifications can cause a crash in which you can be seriously hurt or killed.

Follow all instructions in this owner's manual regarding modifications and accessories.

Accessories

We strongly recommend that you use only genuine Honda accessories that have been specifically designed and tested for your motorcycle. Because Honda cannot test all other accessories, you must be personally responsible for proper selection, installation, and use of non-Honda accessories. Check with your dealer for assistance and always follow this guideline:

- Make sure the accessory does not reduce ground clearance and lean angle, limit suspension travel or steering travel, alter your riding position, or interfere with operating any controls.

Loading, Accessories & Modifications

Modifications

We strongly advise you not to remove any original equipment or modify your motorcycle in any way that would change its design or operation. Such changes could seriously impair your motorcycle's handling, stability, and braking, making it unsafe to ride.

We also advise you not to make any modifications or remove any equipment (such as the USDA qualified spark arrester or emission control system components) that would make the motorcycle illegal in your area.

Safety Labels

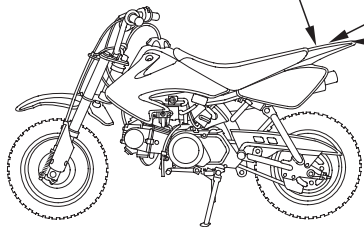
This page shows the locations of safety labels on your motorcycle. Some labels warn you of potential hazards that could cause serious injury. Others provide important safety information. Read these labels carefully and don't remove them.

If a label comes off or becomes hard to read, contact your Honda dealer for a replacement.

| TIRE INFORMATION | |
|---------------------------|--|
| Cold tire pressures : | Front 100kPa 1.00kgf/cm ² 15psi |
| | Rear 125kPa 1.25kgf/cm ² 18psi |
| Maximum weight capacity : | 40kg (88 lbs) |
| Tire size: | Front 2.50-10 33J |
| | Rear 2.50-10 33J |

OFF ROAD USE ONLY

THIS VEHICLE IS DESIGNED AND MANUFACTURED FOR OFF ROAD USE ONLY. IT DOES NOT CONFORM TO FEDERAL MOTOR VEHICLE SAFETY STANDARDS AND OPERATION ON PUBLIC STREETS, ROADS, OR HIGHWAYS IS ILLEGAL.



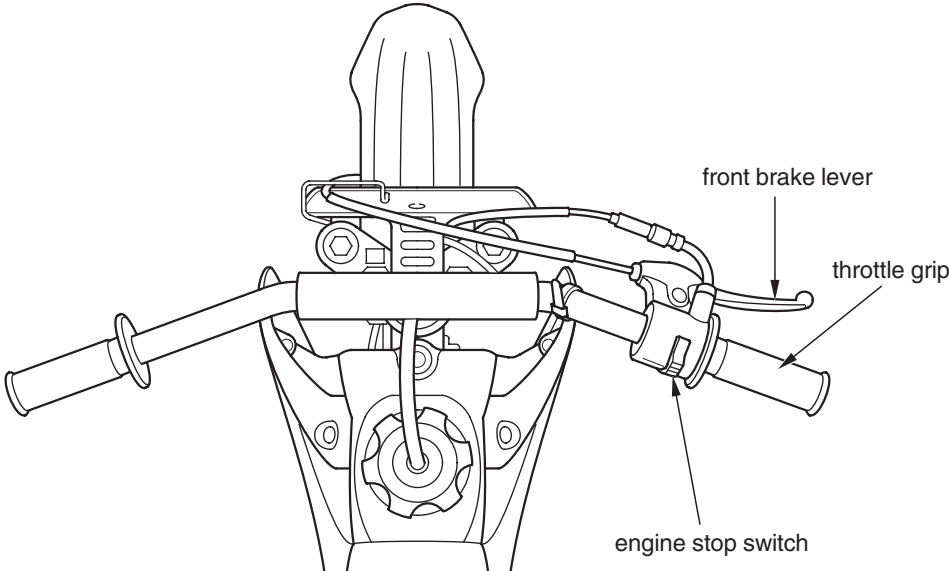
For your protection, always wear your helmet while riding.
Operator only. No passengers.
Read the owner's manual carefully.

Operating Controls

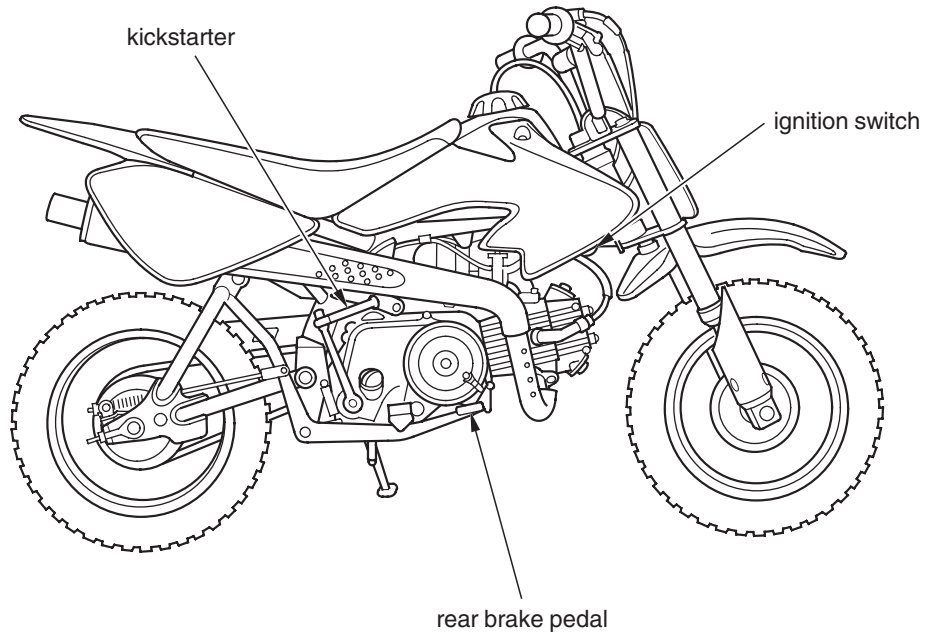
When you ride off-road, you need to operate the throttle, brakes, and other controls without stopping to look at them. Read this section carefully before you ride. It describes the location, function, and operation of all the basic controls on your motorcycle.

| | |
|------------------------------------|----|
| Operation Component Locations..... | 14 |
| Operating Controls..... | 17 |
| Fuel Valve..... | 17 |
| Choke Lever..... | 18 |
| Ignition Switch..... | 19 |
| Engine Stop Switch..... | 20 |
| Front Brake Lever..... | 20 |
| Throttle..... | 20 |
| Shift Lever..... | 21 |
| Rear Brake Pedal..... | 21 |
| Kickstarter..... | 21 |
| Side Stand..... | 21 |

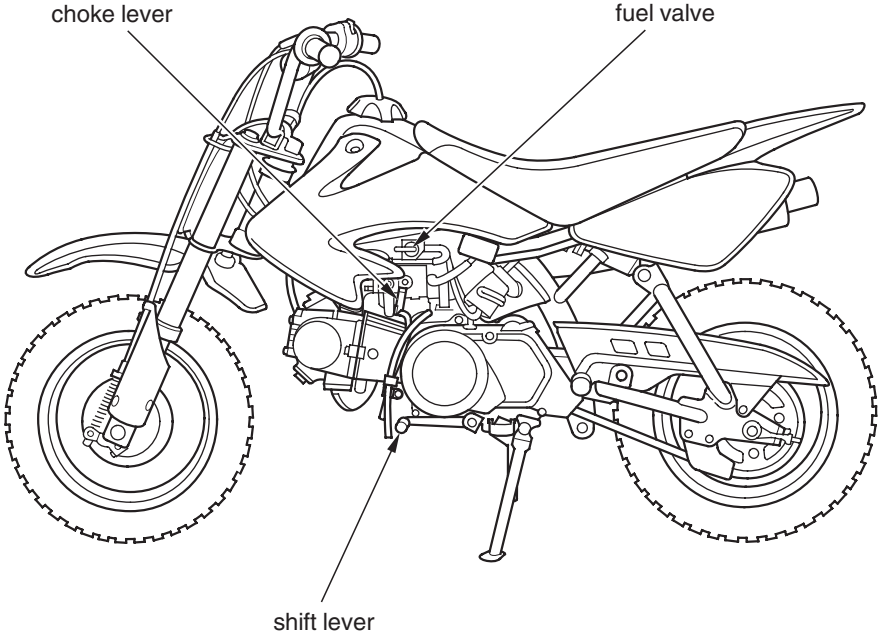
Operation Component Locations



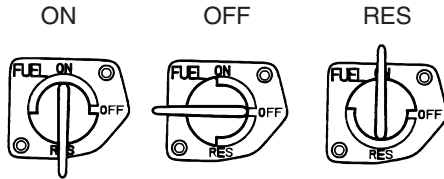
Operation Component Locations



Operation Component Locations



Fuel Valve



The three-way fuel valve is used to control the flow of fuel from the fuel tank to the carburetor.

ON

Turning the fuel valve ON before attempting to start the engine allows fuel to flow from the fuel tank to the carburetor.

OFF

Turning the fuel valve OFF after stopping the engine prevents the flow of fuel from the fuel tank to the carburetor.

RES

Turning the fuel valve to RES allows fuel to flow from the reserve fuel supply to the carburetor.

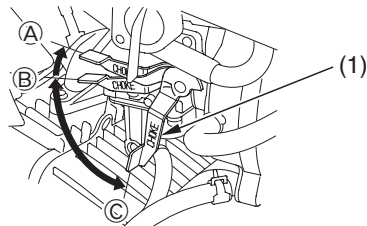
Operating Controls

The reserve fuel supply is:
0.24 US gal (0.9 ℓ)

The tank should be refilled as soon as possible after switching to reserve, and the fuel valve should be returned to the ON position after refueling to avoid running out of fuel with no reserve.

Choke Lever

LEFTSIDE



(1) choke lever

- (A) fully ON
- (B) detent position
- (C) fully OFF

The choke lever is used for starting the engine (page 32). The choke increases the percentage of fuel in the fuel/air mixture delivered to the engine.

ON

Used to start a cold engine with air temperature below 35°C (95°F).

DETENT

Used to warm a cold engine immediately after starting with air temperature below 35°C (95°F).

OFF

Used for normal operation, for restarting a warm engine, or starting a cold engine with air temperature above 35°C (95°F).

Operating Controls

Ignition Switch

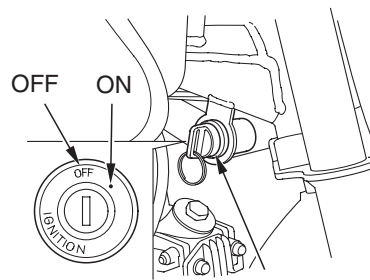
The ignition switch (1) is used to prevent unauthorized use of the motorcycle.

Before riding, insert the key and turn it to the right for the ON position.

| Key Position | Function | Key Removal |
|--------------|--|----------------------------|
| OFF | The engine cannot be operated. | The key can be removed. |
| ON | With the engine stop switch at RUN and the transmission in neutral, the engine can be started. | The key cannot be removed. |

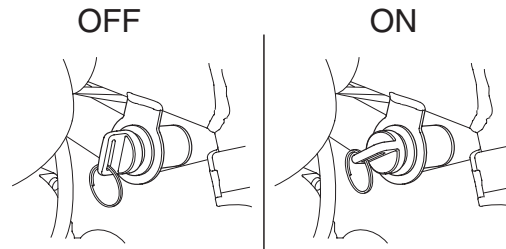
After parking the motorcycle, remove the key.

RIGHT SIDE (under fuel tank)



(1) ignition switch

(1)



Operating Controls

Engine Stop Switch

The engine stop switch is used to turn the engine off during normal riding situations. To operate, turn the switch to either OFF position. The switch must be in the RUN position to start the engine.

Front Brake Lever

The front brake lever is used to slow or stop your motorcycle. To operate, pull the lever. For information on braking techniques, see page 37.

Throttle

The throttle controls engine rpm (speed). To increase engine rpm, rotate the grip toward you. To reduce engine rpm, rotate the grip away from you. The throttle will automatically return to the closed position (engine idle) when you remove your hand.

Shift Lever

The shift lever is used to select the next higher or lower gear in the transmission. To operate, raise the shift lever (after closing the throttle) to engage the next higher gear or depress the shift lever to engage the next lower gear. See *Shifting Gears*, page 35.

Rear Brake Pedal

The rear brake pedal is used to slow or stop your motorcycle. To operate, depress the pedal. For information on braking techniques, see page 37.

Kickstarter

The kickstarter is used to start the engine. To operate, swing the kickstarter out from its stored position and depress it through its entire stroke. See *Starting Procedure*, page 32.

Side Stand

The side stand is used to support your motorcycle while parked (page 38). To operate, use your foot to lower the stand. Before riding, raise the stand.

Before Riding

Before each ride, you need to make sure you and your Honda are both ready to ride. To help get you prepared, this section discusses how to evaluate your riding readiness, and how to perform the recommended pre-ride inspection of your Honda. If you're a parent, be sure you also read the *Important Message to Parents* on page 5.

| | |
|--|----|
| Are You Ready to Ride ? | 24 |
| Protective Apparel | 24 |
| Is Your Motorcycle Ready to Ride ? | 26 |
| Pre-ride Inspection | 27 |

Are You Ready to Ride?

Before you ride your motorcycle for the first time, we strongly recommend that you:

- read this owner's manual
- make sure you understand all the safety messages
- know how to operate all the controls

Before each ride, we also suggest that you make sure you:

- are in good physical and mental condition
- are free of alcohol and drugs
- are wearing an approved motorcycle helmet (with chin strap tightened securely), eye protection, and other protective clothing

Protective Apparel

For your safety, we strongly recommend that you always wear an approved motorcycle helmet, eye protection, boots, gloves, long pants, and a long-sleeved jersey, shirt, or jacket whenever you ride. Although complete protection is not possible, wearing the proper gear can reduce the chance of injury when you ride. Following are suggestions to help you choose the proper gear.

Are You Ready to Ride?

⚠ WARNING

Not wearing a helmet increases the chance of serious injury or death in a crash.

Be sure you always wear a helmet, eye protection and other protective apparel when you ride.

Helmets and Eye Protection

Your helmet is your most important piece of riding gear because it offers the best protection against head injuries. A helmet should fit your head comfortably and have a chin strap that can be tightened securely.

An open-face helmet offers some protection, but a full-face helmet offers more. Regardless of the style, look for a DOT (Department of Transportation) sticker in any helmet you buy

(USA only). Always wear a face shield or goggles to protect your eyes and help your vision.

Additional Riding Gear

In addition to a helmet and eye protection, we also recommend:

- Sturdy off-road motorcycle boots to help protect your feet, ankles, and lower legs.
- Off-road motorcycle gloves to help protect your hands.
- Riding pants with knee and hip pads, a riding jersey with padded elbows, and a chest/shoulder protector.

Is Your Motorcycle Ready to Ride?

Before each ride, it's important to inspect your motorcycle and make sure any problem you find is corrected. A pre-ride inspection is a must because off-road riding can be tough on a motorcycle and you don't want to have a breakdown far from help.

WARNING

Improperly maintaining this motorcycle or failing to correct a problem before riding can cause a crash in which you can be seriously hurt or killed.

Always perform a pre-ride inspection before every ride and correct any problems.

Note to Parents:

If a youngster will be performing any of the following pre-ride inspection procedures, it's your responsibility to provide careful supervision and make sure they are performed safely.

Is Your Motorcycle Ready to Ride?

Pre-ride Inspection

Check the following items before you get on the motorcycle:

Tires Use a gauge to check the air pressure. Adjust if needed. Also look for signs of damage or excessive wear (page 95).

Spokes & Rims Make sure the spokes are tight. Also check the rims for damage (page 90).

Leaks Look under the motorcycle for signs of leaking fluids (fuel, engine oil).

Engine Oil Check the level and add oil if needed (page 63).

Fuel Check the level and add fuel (page 57) if needed. Also make sure the fuel fill cap is securely fastened.

Drive Chain Check the condition and slack. Adjust and lubricate if needed. Also check the chain slider for wear and replace if needed (page 100).

Cables Check the cable housings for wear. Check the fittings for looseness. Replace or tighten as needed.

Nuts & Bolts Use a wrench to make sure all accessible nuts, bolts, and fasteners are tight.

Spark Plug & Cap Check for looseness (page 78).

Is Your Motorcycle Ready to Ride?

Check these items after you get on the motorcycle:

Throttle Check the freeplay and adjust if needed. Rotate the throttle to make sure it moves smoothly without sticking, and snaps shut automatically when it is released, in all steering positions (page 69).

Brakes Squeeze the front brake lever and step on the rear brake pedal to check that the controls operate normally (page 85 , 87). Adjust freeplay, if necessary. (pages 85 , 87).

Remember, be sure to take care of any problem you find or have your Honda dealer correct it before you ride.

Basic Operation & Riding

This section gives basic information on how to begin riding your motorcycle. It includes how to start and stop your engine, how to use the throttle and brakes, and what to do when you're through riding.

For more advanced information — how to make turns, ride on hills, etc., see the *Tips & Practice Guide for the Off-Highway Motorcyclist* booklet that came with your Honda (USA only).

To protect your new engine and enjoy optimum performance and service life, refer to Break-in Guidelines (page 137).

| | |
|-------------------------------------|----|
| Safe Riding Precautions..... | 30 |
| Starting & Stopping the Engine..... | 32 |
| Preparation | 32 |
| Starting Procedure..... | 32 |
| Flooded Engine | 34 |
| How to Stop the Engine..... | 34 |
| Shifting Gears | 35 |
| Braking..... | 37 |
| Parking | 38 |
| Post-ride Inspection | 39 |

Basic Operation & Riding

Safe Riding Precautions

Before riding your motorcycle for the first time, please review the *Important Safety Information* beginning on page 2 and the previous section, titled *Before Riding*.

Even if you have ridden other motorcycles, take time to become familiar with how this motorcycle works and handles. Practice in a safe area until you build up your skills and get accustomed to your motorcycle's size and weight.

For your safety, avoid starting or operating the engine in an enclosed area such as a garage. Your motorcycle's exhaust contains poisonous carbon monoxide gas which can collect rapidly in an enclosed area and cause illness or death.

Your motorcycle is not equipped with lights.
Do not ride at night.

Speed Restrictor for New Riders

The motorcycle is equipped with a throttle limiter to restrict top speed. The throttle limiter screw in the lower throttle housing can be adjusted to limit throttle grip movement (page 71).

Use the throttle limiter with the transmission set in first gear until your youngster becomes familiar with operating the motorcycle.

Before each ride, check the throttle limiter screw measurement and the restriction of throttle grip movement.

Starting & Stopping the Engine

Always follow the proper starting procedure described below.

Preparation

Before starting, insert the key and turn the ignition switch ON.

Make sure that the transmission is in neutral and the engine stop switch is at RUN. Turn the fuel valve ON.

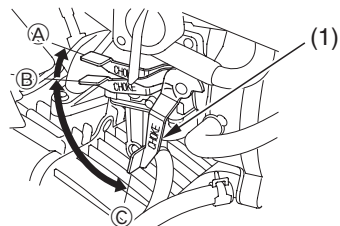
Starting Procedure

To restart a warm engine, follow the procedure for *High Air Temperature*.

Normal Air Temperature

$10^{\circ} - 35^{\circ}\text{C}$ ($50^{\circ} - 95^{\circ}\text{F}$)

LEFTSIDE



(1) choke lever

(A) fully ON
(B) detent position
(C) fully OFF

1. Pull the choke lever (1) up all the way to fully ON (A).

Starting & Stopping the Engine

2. With the throttle slightly open, operate the kickstarter. Kick from the top of the stroke through to the bottom with a rapid, continuous motion.

NOTICE

Allowing the kickstarter to snap back freely against the pedal stop can damage the engine case.

3. Immediately after the engine starts, push the choke lever down to the detent position (B).
4. About a quarter-minute after the engine starts, push the choke lever down all the way to fully OFF (C).
5. If idling is unstable, open the throttle slightly.

High Air Temperature

35°C (95°F) or above

1. Do not use the choke.
2. Start the engine following step 2 under *Normal Air Temperature*.

Low Air Temperature

10°C (50°F) or below

1. Follow steps 1 – 2 under *Normal Air Temperature*.
2. Warm up the engine by opening and closing the throttle slightly.
3. Continue warming up the engine until it idles smoothly and responds to the throttle with the choke lever (1) OFF (C).

NOTICE

Extended use of the choke may impair piston and cylinder wall lubrication and damage the engine.

Starting & Stopping the Engine

Flooded Engine

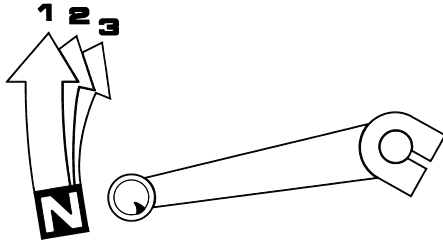
If the engine fails to start after repeated attempts, it may be flooded with excess fuel. To clear a flooded engine:

1. Turn the engine stop switch OFF.
2. Push the choke lever down all the way to OFF.
3. Open the throttle fully.
4. Crank the engine several times with the kickstarter.
5. Turn the engine stop switch to RUN.
6. Follow the *High Air Temperature* starting procedure (page 33).

How to Stop the Engine

To stop the engine, shift into neutral, turn the engine stop switch to either OFF.

Shifting Gears



Your motorcycle has three forward gears.

To start riding, after the engine has been warmed and the side stand raised:

1. Close the throttle and pull the front brake lever in.
2. Raise the shift lever from neutral up to first gear.

3. Release the front brake. Gradually open the throttle.
4. When you attain a moderate speed, close the throttle and raise the shift lever. After shifting, apply the throttle.
5. To continue shifting up to each higher gear, repeat step 4 .
6. To shift down to a lower gear, close the throttle and depress the shift lever. After shifting, apply the throttle.

Remember to close the throttle before shifting.

NOTICE

Improper shifting may damage the engine, transmission, and drive train.

Shifting Gears

Learning when to shift gears comes with experience. Upshift to a higher gear or reduce throttle before engine rpm (speed) gets too high. Downshift to a lower gear before you feel the engine laboring (lugging) at low rpm.

NOTICE

Downshifting can help slow your motorcycle, especially on downhills. However, downshifting when engine rpm is too high can cause engine damage.

NOTICE

To prevent transmission damage, do not coast or tow the motorcycle for long distances with the engine off.

To slow or stop, apply the front brake and rear brake pedal smoothly, while downshifting to match your speed. Gradually increase braking as you feel the brakes slowing your speed. For support, put your left foot down first, then your right foot when you are through using the rear brake.

For maximum braking, close the throttle and firmly apply the brake lever and pedal controls.

Applying the brakes too hard may cause the wheels to lock and slide, reducing control of your motorcycle. If this happens, release the brake controls, steer straight ahead until you regain control, then reapply the brakes more gently.

Generally, reduce your speed or complete braking before beginning a turn. Avoid braking or closing the throttle quickly while turning. Either action may cause one or both wheels to slip. Any wheel slip will reduce your control of your motorcycle.

When riding in wet or rainy conditions, or on loose surfaces, the ability to maneuver and stop will be reduced. All of your actions should be smooth under these conditions. Rapid acceleration, braking or turning may cause loss of control. For your safety, exercise extreme caution when braking, accelerating, or turning.

When descending a long, steep grade, use engine compression braking by downshifting, with intermittent use of both brakes.

Parking

Lower the side stand to support your motorcycle. Turn the ignition switch OFF and remove the key. If you're through riding for the day, also turn the fuel valve OFF. Always choose a level place to park.

Post-ride Inspection

When you return home after riding, thoroughly clean your motorcycle and remove any dirt, mud, brush, rocks or other objects you may have picked up along the way.

After cleaning, carefully inspect your motorcycle for leaks or damage.

Be sure to lubricate the drive chain (page 104) to prevent rusting.

Servicing Your Honda

Keeping your motorcycle well maintained is absolutely essential to your safety. It's also a good way to protect your investment, get maximum performance, avoid breakdowns, and have more fun.

To help keep your motorcycle in good shape, this section includes a Maintenance Schedule for required servicing and step-by-step instructions for specific maintenance tasks. You'll also find important safety precautions, information on oils, and tips for keeping your Honda looking good.

For information about the exhaust emission and noise emission requirements of the U.S. Environmental Protection Agency (EPA) and the California Air Resources Board (CARB), see page 138 .

An optional tool kit may be available. Check with your Honda dealer's parts department.

USA only

Maintenance, replacement or repair of the emission control devices and systems may be performed by any motorcycle repair establishment or individual using parts that are "certified" to EPA standards.

Before You Service Your Honda

| | |
|------------------------------------|----|
| The Importance of Maintenance..... | 43 |
| Maintenance Safety..... | 45 |
| Important Safety Precautions..... | 45 |
| Maintenance Schedule | 47 |
| Maintenance Record | 51 |

Servicing Your Honda

Service Preparations

| | |
|---------------------------------------|----|
| Maintenance Component Locations | 52 |
| Seat Removal | 55 |
| Front Fork Protector Removal | 56 |

Service Procedures

Fluids & Filters

| | |
|-------------------|----|
| Fuel | 57 |
| Engine Oil | 60 |
| Air Cleaner | 66 |

Engine

| | |
|-------------------------|----|
| Throttle | 69 |
| Clutch System | 72 |
| Valve Clearance | 74 |
| Engine Idle Speed | 77 |
| Spark Plug | 78 |
| Spark Arrester | 80 |

Chassis

| | |
|---------------------|-----|
| Suspension | 82 |
| Brakes | 85 |
| Wheels | 90 |
| Tires & Tubes | 95 |
| Side Stand | 99 |
| Drive Chain | 100 |

| | |
|-----------------------|-----|
| Appearance Care | 107 |
|-----------------------|-----|

The Importance of Maintenance

A well-maintained motorcycle is essential for safe, economical, and trouble-free riding. It will also help reduce air pollution. Careful pre-ride inspections and good maintenance are especially important because your motorcycle is designed to be ridden over rough off-road terrain.

To help you properly care for your motorcycle, this section of the manual provides a Maintenance Schedule. The service intervals in this schedule are based on average riding conditions.

More frequent service is needed if you subject your motorcycle to severe use (such as competition) or ride in unusually wet or dusty areas.

Frequent servicing of the air cleaner is especially important to help you avoid a possible costly engine repair.

If your motorcycle overturns or is involved in a crash, be sure your Honda dealer inspects all major parts, even if you are able to make some repairs.

WARNING

Improperly maintaining this motorcycle or failing to correct a problem before you ride can cause a crash in which you can be seriously hurt or killed.

Always follow the inspection and maintenance recommendations and schedules in this owner's manual.

The Importance of Maintenance

Remember, proper maintenance is the owner's responsibility. Be sure to inspect your motorcycle before each ride and follow the Maintenance Schedule in this section.

Note to Parents:

As a parent, it's up to you to make sure that this motorcycle is properly maintained and kept in safe operating condition. For youngsters, learning how to take care of a motorcycle and perform basic maintenance can be an important part of their riding experience. However, if you allow a youngster to perform or assist in any maintenance task, such as filling the tank with gasoline, you should provide close supervision to make sure that it is performed safely.

Maintenance Safety

The maintenance section includes instructions on how to perform some important maintenance tasks. Some of the most important safety precautions follow. However, we cannot warn you of every conceivable hazard that can arise in performing maintenance. Only you can decide whether or not you should perform a given task.

WARNING

Failure to properly follow maintenance instructions and precautions can cause you to be seriously hurt or killed.

Always follow the procedures and precautions in this owner's manual.

Important Safety Precautions

- Make sure the engine is off before you begin any maintenance or repairs. This will help eliminate several potential hazards:

Carbon monoxide poisoning from engine exhaust. Be sure there is adequate ventilation whenever you operate the engine.

Burns from hot motorcycle parts. Let the engine and exhaust system cool before touching.

Injury from moving parts. Do not run the engine unless instructed to do so.

(cont'd)

Maintenance Safety

- Read the instructions before you begin, and make sure you have the tools and skills required.
- To help prevent the motorcycle from falling over, park it on a firm, level surface, using the side stand or a maintenance stand to provide support.
- To reduce the possibility of a fire or explosion, be careful when working around gasoline. Use only a non-flammable (high flash point) solvent such as kerosene — not gasoline — to clean parts. Keep cigarettes, sparks, and flames away from all fuel-related parts.

Maintenance Schedule

To maintain the safety and reliability of your motorcycle, regular inspection and service is required as shown in the Maintenance Schedule that follows.

The Maintenance Schedule lists items that can be performed with basic mechanical skills and hand tools. Procedures for these items are provided in this manual.

The Maintenance Schedule also includes items that involve more extensive procedures and may require special training, tools, and equipment. Therefore, we recommend that you have your Honda dealer perform these tasks unless you have advanced mechanical skills and the required tools. Procedures for items in this schedule are provided in a service manual available for purchase from your dealer (page 146).

Because your motorcycle does not have an odometer, service intervals in the maintenance schedules are expressed in terms of riding days as well as miles. To avoid overlooking required service, we urge you to develop a convenient way to record the number of days and/or miles you ride.

If you do not feel capable of performing a given task or need assistance, remember that your Honda dealer knows your motorcycle best and is fully equipped to maintain and repair it. If you decide to do your own maintenance, use only genuine Honda parts or their equivalents for repair or replacement to ensure the best quality and reliability.

Maintenance Schedule

Perform the pre-ride inspection (page 27) at each scheduled maintenance period.

Each item on the maintenance schedule requires some mechanical knowledge. Certain items (particularly those marked * and **) may require more technical information and tools. Consult your Honda dealer.

- * Should be serviced by your Honda dealer, unless the owner has the proper tools and service data and is mechanically qualified. Refer to the official Honda Service Manual (page 146).
- ** In the interest of safety, we recommend these items be serviced only by your Honda dealer.

Summary of Maintenance Schedule Notes and Procedures:

NOTE:

1. Service more frequently when ridden in wet or dusty conditions.

Maintenance Procedures:

- I: inspect and clean, adjust, lubricate, or replace, if necessary
- C: clean
- A: adjust
- L: lubricate
- R: replace

Maintenance Schedule

| Items | Frequency | Whichever Comes First ⇒ | Initial Maint. | Regular Maint. Interval | | | | Refer to page: |
|-------|-------------------------------|----------------------------|----------------|-------------------------|-------|-------|-------|----------------|
| | | | mi | 600 | 1,200 | 1,800 | 2,400 | |
| | | | km | 1,000 | 2,000 | 3,000 | 4,000 | |
| Note | Month | 1 | 6 | 12 | 18 | 24 | | |
| * | Fuel Line | | | | I | | I | — |
| * | Throttle Operation | | | | I | | I | 69 |
| | Air Cleaner | Note 1 | | C | C | C | C | 66 |
| | Spark Plug | | | I | I | I | I | 78 |
| * | Valve Clearance | | I | I | I | I | I | 74 |
| | Engine Oil | | R | R | R | R | R | 60 |
| ** | Engine Oil Strainer Screen | | | | C | | C | — |
| ** | Engine Oil Centrifugal Filter | | | | C | | C | — |
| ** | Engine Idle Speed | | I | I | I | I | I | 77 |

* Should be serviced by your Honda dealer, unless the owner has the proper tools and service data and is mechanically qualified. Refer to the official Honda Service Manual (page 146).

** In the interest of safety, we recommend these items be serviced only by your Honda dealer.

Maintenance Schedule

| Items | Frequency | Whichever Comes First ⇒ | Initial Maint. | Regular Maint. Interval | | | | Refer to page: |
|---------------------------|-----------|----------------------------|----------------|---|-------|-------|-------|----------------|
| | | | mi | 600 | 1,200 | 1,800 | 2,400 | |
| | | | km | 1,000 | 2,000 | 3,000 | 4,000 | |
| Note | Month | 1 | 6 | 12 | 18 | 24 | | |
| Drive Chain | | Note 1 | I, L | I, L: every 300 mi (500 km) or 3 month | | | | 100 |
| Drive Chain Slider | | | | I | I | I | I | 101 |
| Brake Shoe Wear | | | | I | I | I | I | 88 |
| Brake System | | | I | I | I | I | I | 85 |
| Clutch System | | | I | I | I | I | I | 72 |
| Side Stand | | | | | I | | I | 99 |
| * Suspension | | | | | I | | I | 82 |
| * Spark Arrester | | | | C: every 1,000 mi (1,600 km) or every 100 operating hours | | | | 80 |
| * Nuts, Bolts, Fasteners | | | I | | I | | I | — |
| ** Wheels/Tires | | | I | I | I | I | I | 90, 95 |
| ** Steering Head Bearings | | | I | | I | | I | — |

* Should be serviced by your Honda dealer, unless the owner has the proper tools and service data and is mechanically qualified. Refer to the official Honda Service Manual (page 146).

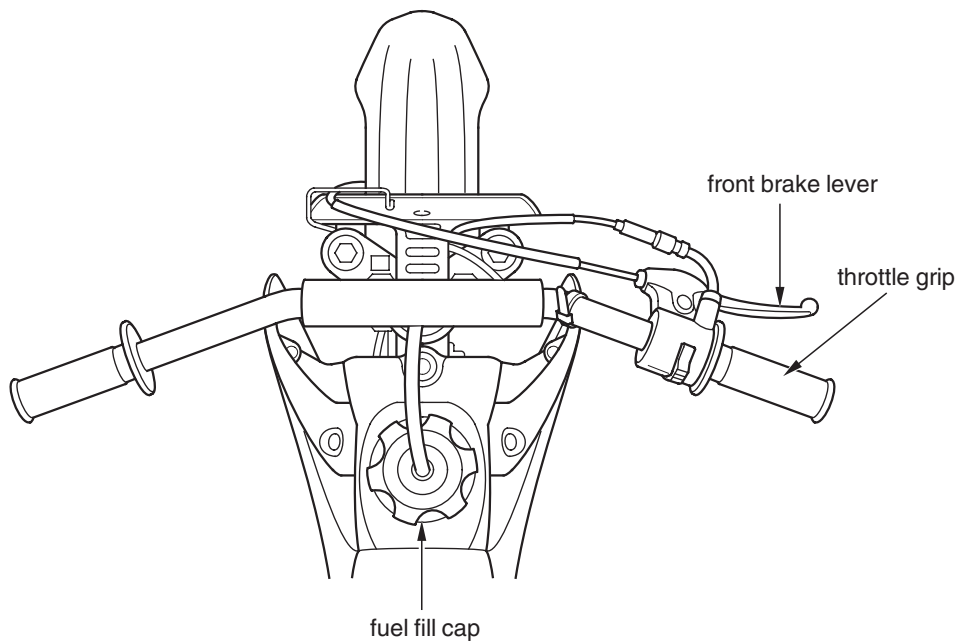
** In the interest of safety, we recommend these items be serviced only by your Honda dealer.

Maintenance Record

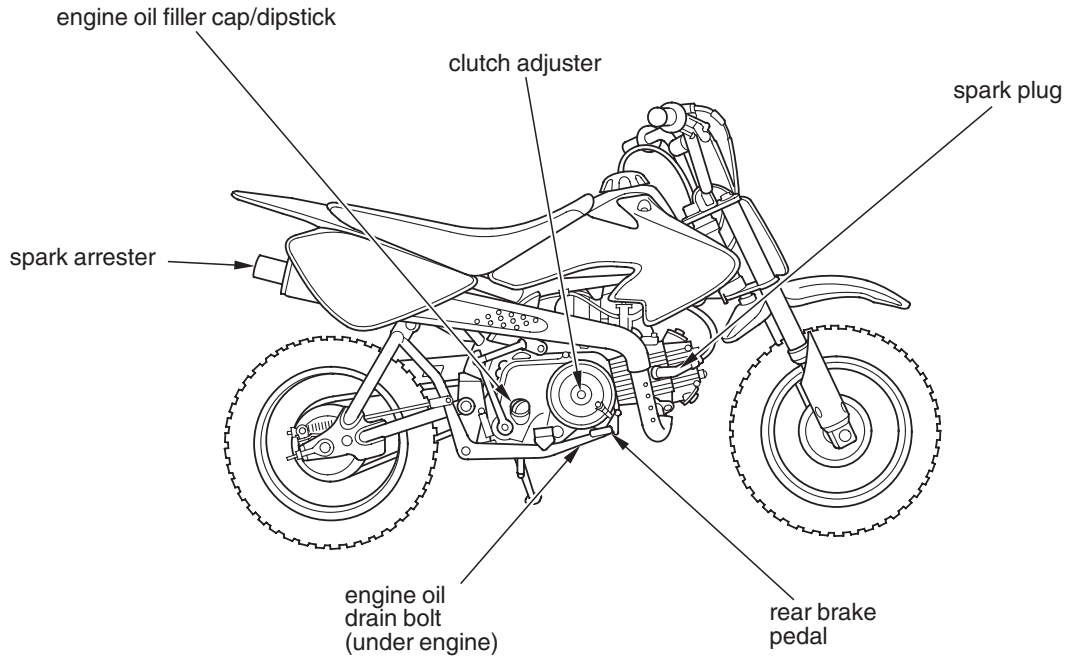
Keeping an accurate maintenance record will help ensure that your motorcycle is properly maintained. Use the space under Notes to record anything you want to remind yourself about or mention to your dealer. Of course, if you find any problem while servicing your motorcycle, be sure it is corrected as soon as possible.

| Miles (km) | Date | Performed By: | Notes |
|-----------------------|-------------|----------------------|--------------|
| 600 (1,000) | | | |
| 1,200 (2,000) | | | |
| 1,800 (3,000) | | | |
| 2,400 (4,000) | | | |
| 3,000 (5,000) | | | |
| 3,600 (6,000) | | | |
| 4,200 (7,000) | | | |
| 4,800 (8,000) | | | |
| 5,200 (9,000) | | | |

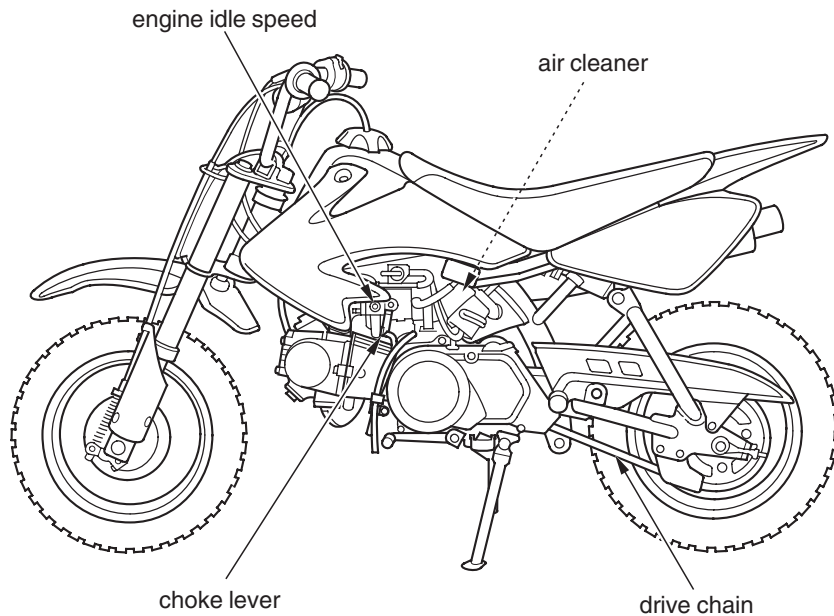
Maintenance Component Locations



Maintenance Component Locations

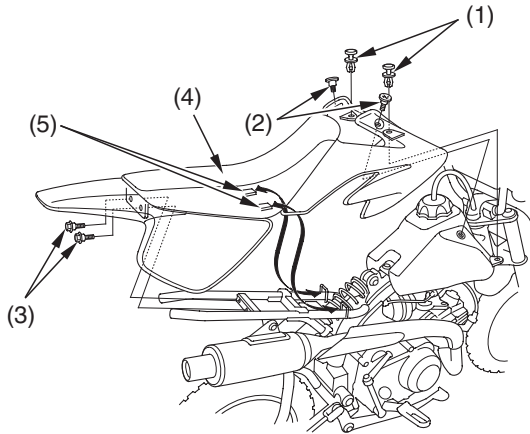


Maintenance Component Locations



Seat Removal

Refer to *Safety Precautions* on page 45 .



- (1) clips
- (2) screws
- (3) bolts

- (4) seat
- (5) prongs

Removal

1. Remove the clips (1) and screws (2) on the fuel tank shroud.
2. Remove the bolts (3) under the rear fender.
3. Slide the seat (4) with fuel tank shroud and rear cowl back.

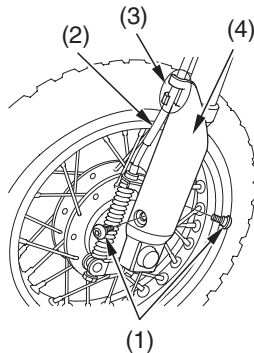
Installation

1. Position the prongs (5) under the seat into the spaces for them in the frame.
2. Install the bolts and screws and tighten them, then install the clips.

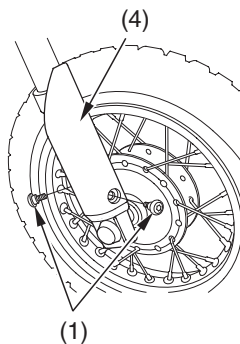
Front Fork Protector Removal

Refer to *Safety Precautions* on page 45 .

LEFT FRONT



RIGHT FRONT



(1) bolts
(2) front brake cable

(3) cable guide
(4) front fork protector

Removal

1. Remove the two bolts (1) securing the front fork protector.
2. Remove the front brake cable (2) from the cable guide (3).
3. Remove the front fork protector (4).

Installation

1. Attach the fork protector on the front fork.
2. Install the front brake cable to the cable guide.
3. Install the securing bolts and tighten them.

Refer to *Safety Precautions* on page 45.

Fuel Recommendation

| | |
|--------------------|----------------|
| Type | unleaded |
| Pump Octane Number | 86 (or higher) |

Your engine is designed to use any gasoline that has a pump octane number of 86 or higher. Gasoline pumps at service stations normally display the pump octane number. For information on the use of oxygenated fuels, see page 142.

Use of lower octane gasoline can cause persistent “pinging” or “spark knock” (a louder rapping noise) which, if severe, can lead to engine damage. (Light pinging experienced while operating under a heavy load, such as climbing a hill, is no cause for concern.)

If pinging or spark knock occurs at a steady engine speed under normal load, change brands of gasoline. If pinging or spark knock persists, consult your Honda dealer.

We recommend that you use unleaded fuel because it produces fewer engine deposits and extends the life of exhaust system components.

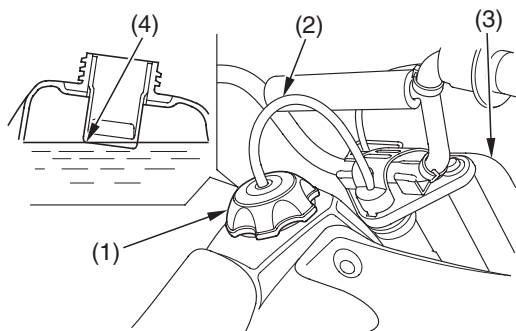
Never use stale or contaminated gasoline or an oil/gasoline mixture. Avoid getting dirt, dust, or water in the fuel tank.

Fuel

Refueling Procedure

Fuel Tank Capacity, including reserve:
0.79 US gal (3.0 ℓ)

Reserve Capacity:
0.24 US gal (0.9 ℓ)



- (1) fuel fill cap
(2) breather tube
(3) front number plate
(4) filler neck

1. To open the fuel fill cap (1), pull the breather tube (2) away from the front number plate (3). Turn the fuel fill cap counterclockwise and remove it.
2. Add fuel until the level reaches the bottom of the filler neck (4). Avoid overfilling the tank. There should be no fuel in the filler neck.

⚠ WARNING

Gasoline is highly flammable and explosive. You can be burned or seriously injured when handling fuel.

- Stop the engine and keep heat, sparks and flame away.
- Handle fuel only outdoors.
- Wipe up spills immediately.

3. After refueling, turn the fuel fill cap clockwise until it is secure.
4. Check that the breather tube is properly seated in the front number plate.

If you replace the fuel fill cap, use only a genuine Honda replacement part.

Engine Oil

Refer to *Safety Precautions* on page 45 .

Using the proper oil, and regularly checking, adding, and changing oil will help extend your engine's life. Even the best oil wears out. Changing oil helps get rid of dirt and deposits held in the engine. Operating the engine with old or dirty oil can damage your engine. Running the engine with insufficient oil can cause serious damage to the engine and transmission.

Oil Recommendation

| | |
|---------------------|---|
| API classification | SG or higher except oils labeled as energy conserving on the circular API service label |
| viscosity (weight) | SAE 10W-30* |
| JASO T 903 standard | MA |
| suggested oil** | Pro Honda GN4 or HP4 (without molybdenum additives) 4-stroke oil (USA & Canada), or Honda 4-stroke oil (Canada only), or an equivalent motorcycle oil |

Engine Oil

- * For normal air temperatures. See next page for additional temperature/viscosity information.
- ** Suggested oils are equal in performance to SJ oils that are not labeled as energy conserving on the circular API service label.

- Your motorcycle does not need oil additives. Use the recommended oil.
- Do not use oils with graphite or molybdenum additives. They may adversely affect clutch operation.
- Do not use API SH or higher oils displaying a circular API “energy conserving” service label on the container. They may affect lubrication and clutch performance.



NOT RECOMMENDED



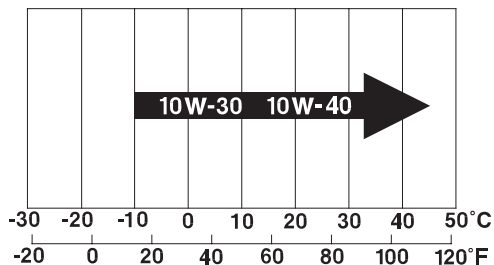
OK

- Do not use non-detergent, vegetable, or castor based racing oils.

(cont'd)

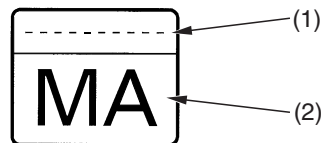
Engine Oil

Other viscosities shown in the following chart may be used when the average temperature in your riding area is within the indicated range.



JASO T 903 standard

The JASO T 903 standard is an index for engine oils for 4-stroke motorcycle engines. There are two classes: MA and MB. Oil conforming to the standard is labeled on the oil container. For example, the following label shows the MA classification.

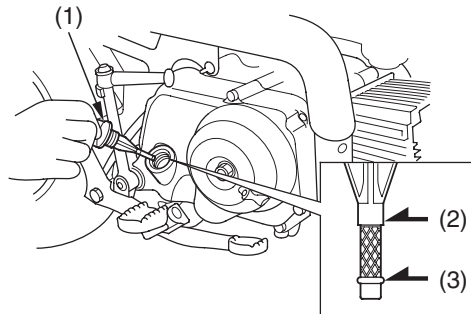


PRODUCT MEETING JASO T 903
COMPANY GUARANTEEING THIS MA PERFORMANCE:

- (1) code number of the sales company of the oil
- (2) oil classification

Checking & Adding Oil

RIGHT SIDE



- (1) oil filler cap/dipstick
- (2) upper level mark
- (3) lower level mark

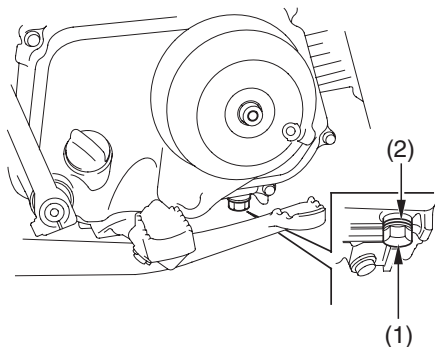
1. Park your motorcycle on a firm, level surface.
2. Clean around the oil filler cap/dipstick (1) and nearby surfaces.

3. Start the engine and let it idle for 3-5 minutes. Stop the engine. Wait 2-3 minutes.
4. Immediately unscrew and remove the oil filler cap/dipstick. Wipe it clean.
5. Hold the motorcycle upright.
6. Insert the oil filler cap/dipstick until it seats, but do not screw it in.
7. Remove the oil filler cap/dipstick and check the oil level.
 - If the oil is at or near the upper level mark (2), you do not have to add oil.
 - If the oil is below or near the lower level mark (3), add the recommended oil until it reaches the upper level mark. (Do not overfill.)
8. Insert the oil filler cap/dipstick and screw it in tightly.
9. Check for oil leaks.

Engine Oil

Changing Engine Oil

RIGHT SIDE



- (1) oil drain bolt
(2) sealing washer

1. If the engine is cold, start it and let it idle for 3-5 minutes. Turn the engine off. Wait 2-3 minutes for the oil to settle.
2. Park your motorcycle on a firm, level surface.
3. Remove the oil filler cap/dipstick.
4. Place a drain pan under the crankcase.
5. Unscrew and remove the oil drain bolt.
6. After most of the oil is drained, gently tilt the motorcycle from side to side to drain the remaining oil.
7. Pour the drained oil into a suitable container and dispose of it in an approved manner (page 119).

NOTICE

Improper disposal of drained fluids is harmful to the environment.

8. Remove the old sealing washer (2) and install a new sealing washer on the drain bolt.
9. Install the oil drain bolt and tighten to the specified torque:
18 lbf·ft (24 N·m , 2.5 kgf·m)
10. Pour the recommended oil into the crankcase, approximately:
0.6 US qt (0.6 ℓ)
11. Install the oil filler cap/dipstick securely.
12. Start the engine and let it idle for 3-5 minutes. Stop the engine. Wait 2-3 minutes.
13. With the motorcycle held upright on level ground, check the oil level.
If needed, add oil (page 62) until it reaches the upper level mark. (Do not overfill.)
14. Check for oil leaks.

Air Cleaner

Refer to *Safety Precautions* on page 45 .

Proper air cleaner maintenance is very important for off-road vehicles. A dirty, water-soaked, worn-out, or defective air cleaner will allow dirt, dust, mud, and other impurities to pass into the engine.

Service the air cleaner more frequently if you ride in unusually wet or dusty areas. Your Honda dealer can help you determine the correct service interval for your riding conditions.

Your motorcycle's air cleaner has very specific performance requirements. Use a new genuine Honda air cleaner specified for your model or an air cleaner of equal quality.

NOTICE

Using the wrong air cleaner can result in premature engine damage.

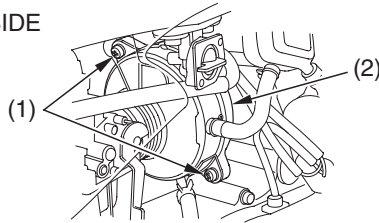
Proper air cleaner maintenance can prevent premature engine wear or damage, expensive repairs, low engine power, poor gas mileage, and spark plug fouling.

NOTICE

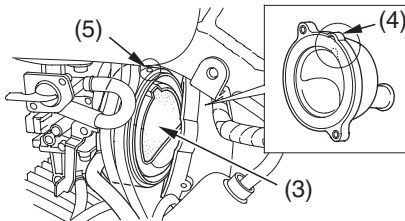
Improper or lack of proper air cleaner maintenance can cause poor performance and premature engine wear.

Cleaning

LEFT SIDE



- (1) attaching screws
- (2) air cleaner housing cover



- (3) air cleaner
- (4) projection (air cleaner housing cover)
- (5) projection (air cleaner housing)

1. Remove the two attaching screws (1) and the air cleaner housing cover (2).
2. Remove the air cleaner (3).
3. Gently wash the air cleaner in clean, non-flammable (high flash point) solvent such as kerosene — not gasoline. After cleaning, gently squeeze out the remaining solvent. Avoid twisting or wringing the air cleaner. This can tear the foam.
4. Inspect for tears or cracks in the foam or seams of the air cleaner. Replace the air cleaner if it is damaged.
5. Allow the air cleaner to dry thoroughly before applying oil. A wet air cleaner will not fully absorb the oil.

(cont'd)

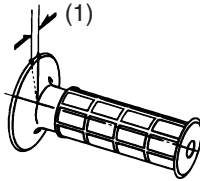
Air Cleaner

6. Pour clean Pro Honda Foam Filter Oil or an equivalent (Canada: Honda Foam Filter Oil or an equivalent) over the entire surface of the air cleaner. Use both hands to evenly spread the oil into the air cleaner. Gently squeeze out any excess oil. (To keep your hands dry, place the air cleaner in a clean plastic bag before spreading the oil into the air cleaner.)
7. Clean the inside of the air cleaner housing. Install the air cleaner.
8. Install the air cleaner housing cover, aligning its projection (4) with the projection (5) on the air cleaner housing.
9. Install and tighten the two attaching screws.

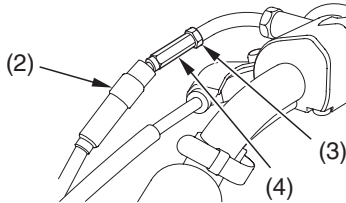
Refer to *Safety Precautions* on page 45.

Throttle Freeplay

RIGHT SIDE



(1) freeplay



(2) rubber dust cover
(3) lock nut

(4) adjuster

Inspection

Check freeplay (1).

Freeplay: $1/16 - 3/16$ in (2.0 – 4.0 mm)

If necessary, adjust to the specified range.

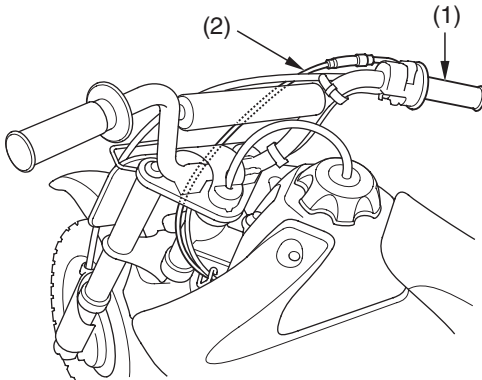
Adjustment

1. Pull the rubber dust cover (2) back.
2. Loosen the lock nut (3) on the throttle cable mechanism.
3. Turn the adjuster (4).
4. Tighten the lock nut. Return the dust cover to its normal position.
5. After adjustment, check for smooth rotation of the throttle grip from fully closed to fully open in all steering positions.

If you can't get the freeplay within the specified range, contact your Honda dealer.

Throttle

Throttle Inspection



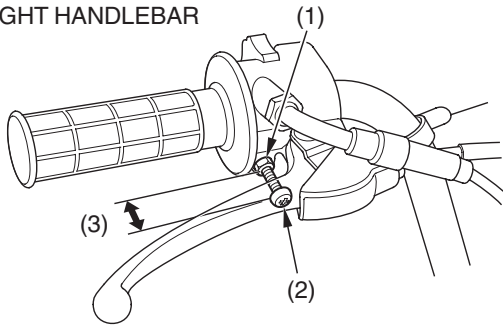
- (1) throttle
- (2) throttle cable

1. Check that the throttle assembly is positioned properly and the securing bolts are tight.

2. Check for smooth rotation of the throttle (1) from fully open to fully closed in all steering positions. If there is a problem, see your Honda dealer.
3. Inspect the condition of the throttle cable (2) from the throttle grip down to the carburetor. If the cable is kinked or chafed, have it replaced.
4. Check the cable for tension or stress in all steering positions.
5. Lubricate the cable with a commercially-available cable lubricant to prevent premature rust and corrosion.

Throttle Limiter Adjustment

RIGHT HANDLEBAR



- (1) lock nut
- (2) throttle limiter screw
- (3) throttle limiter screw measurement

1. Loosen the lock nut (1).
2. Turn the throttle limiter screw (2) clockwise to reduce throttle grip movement or counterclockwise to increase throttle grip movement.

The throttle limiter screw measurement (3) is $13/16$ in (21 mm) when the throttle is fully open; less than $13/16$ in (21 mm) when the throttle opening (and maximum engine speed) is restricted.

3. Hold the screw in place and tighten the lock nut.

To prevent moisture or debris (dirt, sand, pebbles, sticks, etc.) from entering the throttle housing, do not remove the throttle limiter screw.

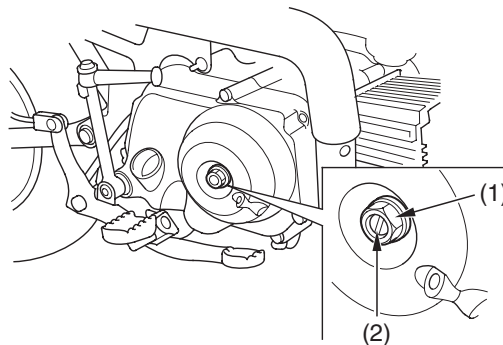
Moisture and debris may interfere with proper throttle operation.

Clutch System

Refer to *Safety Precautions* on page 45.

Inspection

The engine should start easily with the kickstarter without the clutch slipping. When shifting gears, the clutch operation should be smooth and light, especially when shifting into neutral.



(1) adjuster lock nut

(2) clutch adjuster

Adjustment

1. Loosen the adjuster lock nut (1).
2. Turn the clutch adjuster (2) clockwise one turn; do not turn excessively.

3. Slowly turn the adjuster counterclockwise until a slight resistance is felt.
4. From this position, turn the adjuster clockwise $1/8$ to $1/4$ turn, and tighten the lock nut.
5. After adjustment, test ride the motorcycle to be certain the clutch operates properly.

If you can't get proper adjustment, or the clutch does not work properly, see your Honda dealer.

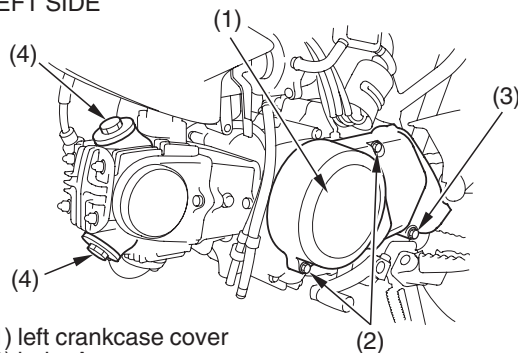
Valve Clearance

Refer to *Safety Precautions* on page 45.

Excessive valve clearance will cause noise and eventual engine damage. Little or no clearance will prevent the valve from closing and cause valve damage and power loss. Check valve clearance when the engine is cold at the intervals specified in the Maintenance Schedule.

The checking or adjusting of the clearance should be performed while the engine is cold. The clearance will change as engine temperature rises.

LEFT SIDE

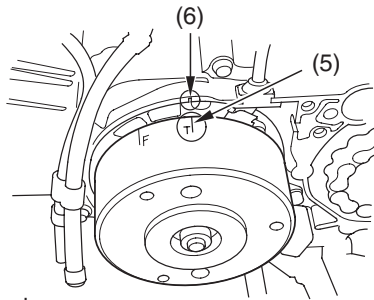


- (1) left crankcase cover
- (2) bolts A
- (3) bolt B
- (4) adjusting hole caps

1. Remove the left crankcase cover (1) by removing the bolts A (2) and bolt B (3).
2. Remove the adjusting hole caps (4).

Valve Clearance

LEFT SIDE



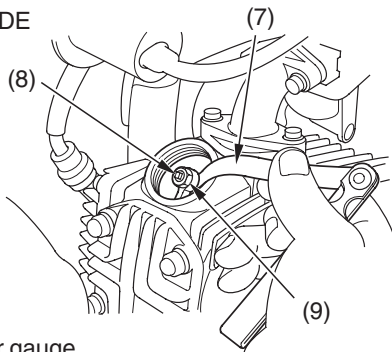
(5) T mark
(6) index mark

3. Rotate the generator flywheel counterclockwise until the T mark (5) on the flywheel lines up with the index mark (6) on the crankcase. In this position, the piston may either be on the compression or exhaust stroke.

The adjustment must be made when the piston is at the top of the compression stroke when both the intake and exhaust valves are closed. This condition can be determined by moving the rocker arms. If they are free, it is an indication that the valves are closed and that the piston is on the compression stroke. If they are tight and the valves are open, rotate the flywheel 360° and realign the T mark to the index mark.

Valve Clearance

LEFT SIDE



- (7) feeler gauge
- (8) adjusting screw
- (9) adjusting screw lock nut

4. Check the clearance of both valves by inserting a feeler gauge (7) between the adjusting screw (8) and the valve stem. Clearance should be:
0.002 in (0.05 mm)

5. If it is necessary to make an adjustment, loosen the adjusting screw lock nut (9) and turn the adjusting screw so there is a slight resistance when the feeler gauge is inserted.

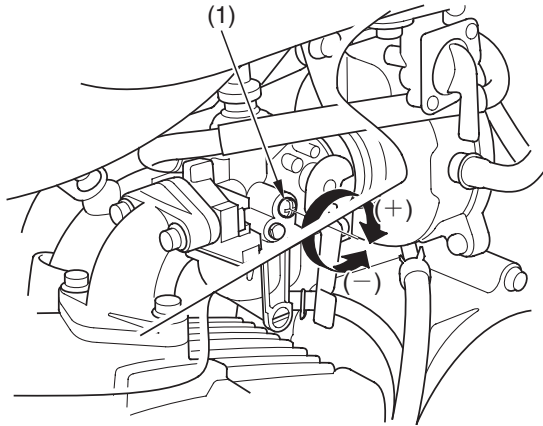
After completing the adjustment, tighten the adjusting screw lock nut while holding the adjusting screw to prevent it from turning. Finally, recheck the clearance to make sure that the adjustment has not been disturbed.

6. Install the left crankcase cover.
7. Install and tighten the bolts A, bolt B and adjusting hole caps.

Engine Idle Speed

Refer to *Safety Precautions* on page 45.

LEFT SIDE



(1) throttle stop screw

(+) increase rpm
(-) decrease rpm

The engine must be at normal operating temperature for accurate idle speed adjustment. Ten minutes of stop-and-go riding is sufficient.

Do not attempt to compensate for faults in other systems by adjusting idle speed. See your Honda dealer for regularly scheduled carburetor adjustments.

1. Warm up the engine, shift to neutral and place the motorcycle on its stand.
2. Connect a tachometer, following the tachometer manufacturer's instructions.
3. Adjust idle speed with the throttle stop screw (1).

Idle Speed: $1,700 \pm 100$ rpm

Spark Plug

Refer to *Safety Precautions* on page 45.

Spark Plug Recommendation

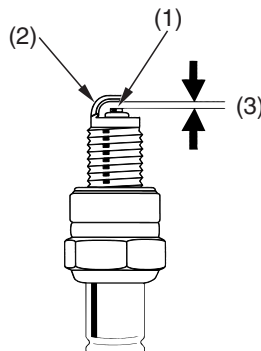
The recommended standard spark plug is satisfactory for most riding conditions. However, if you plan to ride for extended periods at high speeds or near maximum power (high engine rpm) in hot climates, or plan extended riding in cold climates, a different plug may be recommended.

| | |
|---------------------------------------|-------------------------------------|
| Standard | CR6HSA (NGK) or U20FSR-U (DENSO) |
| For cold climate (below 5°C, 41°F) | CR5HSA (NGK) or U16FSR-U (DENSO) |
| For extended high speed riding | CR7HSA (NGK) or U22FSR-U (DENSO) |

Use only the recommended type of spark plugs in the recommended heat range.

NOTICE

Using spark plugs with an improper heat range can cause engine damage.



- (1) center electrode
- (2) side electrode
- (3) spark plug gap

Spark Plug

1. Clean any dirt from around the spark plug base.
2. Disconnect the spark plug cap.
3. Remove the spark plug with a plug wrench.
4. Inspect the spark plug electrodes for wear. The center electrode (1) should have square edges. The side electrode (2) should not be eroded. The insulator should not be cracked or chipped.
5. Check the spark plug gap (3), using a wire-type feeler gauge. If adjustment is necessary, bend the side electrode carefully. The gap should be:
0.024 – 0.028 in (0.60 – 0.70 mm)
Make sure the plug washer is in good condition.
If you have to install a new plug, first check the gap.
6. With the plug washer attached, thread the spark plug in by hand (to prevent cross-threading).
7. Tighten the spark plug:
 - If the old plug is good:
1/8 turn after it seats.
 - If installing a new plug, tighten it twice to prevent loosening:
 - a) First, tighten the plug:
NGK: 1 turn after it seats.
DENSO: 3/4 turn after it seats.
 - b) Then loosen the plug.
 - c) Next, tighten the plug again:
1/8 turn after it seats.
8. Reinstall the spark plug cap. Take care to avoid pinching any cables or wires.

NOTICE

An improperly tightened spark plug can damage the engine. If a plug is too loose, a piston may be damaged. If a plug is too tight, the threads may be damaged.

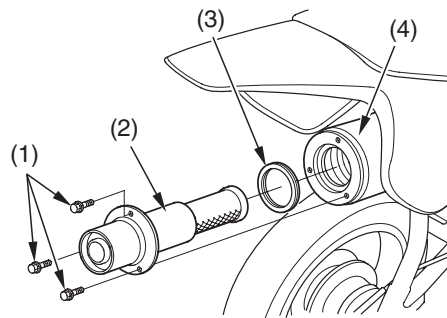
Spark Arrester

Refer to *Safety Precautions* on page 45 .

The spark arrester must be serviced every 100 operating hours to maintain its efficiency.

Regular servicing prevents carbon buildup (which can diminish engine performance) and also complies with USDA regulations for regular maintenance to assure proper function. The spark arrester prevents random sparks from the combustion process in your engine from reaching the environment.

RIGHT REAR



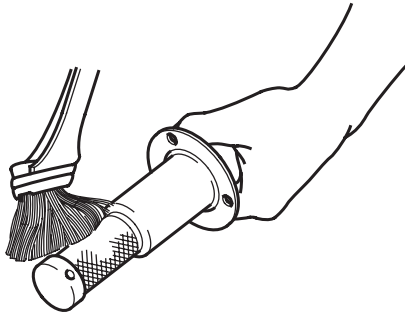
(1) bolts
(2) spark arrester

(3) gasket
(4) muffler

1. Allow the engine and muffler to cool.
2. Remove the three bolts (1), the spark arrester (2), and the gasket (3) from the muffler (4).

Spark Arrester

3. Use a brush to remove carbon deposits from the spark arrester screen. Be careful to avoid damaging the spark arrester screen. The spark arrester must be free of breaks and holes. Replace, if necessary. Check the gasket. Replace, if necessary.



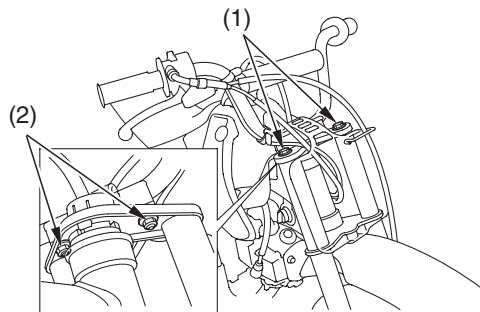
4. Install the spark arrester and the gasket in the muffler and tighten the three bolts securely.

Suspension

Refer to *Safety Precautions* on page 45.

Loose, worn, or damaged suspension components may adversely affect the handling and stability of your motorcycle. If any suspension components appear worn or damaged, see your Honda dealer for further inspection. Your dealer is qualified to determine whether or not replacement parts or repairs are needed.

Front Suspension Inspection



(1) mounting bolts

(2) mounting nuts

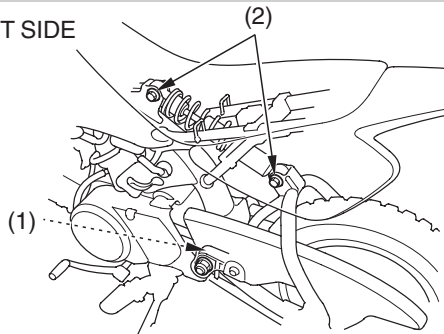
1. Check fork operation. Pull the front brake lever in, to lock the brake. Then pump up and down on the fork legs several times. The suspension should function smoothly. There should be no oil leakage.

Suspension

2. Check the security of all fork mounting bolts (1) and handle bar mounting nuts (2). If any front suspension components appear worn or damaged, see your Honda dealer for further inspection.

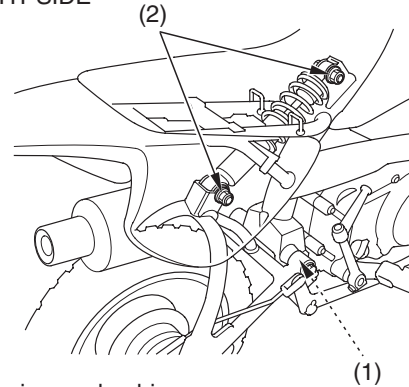
Rear Suspension Inspection

LEFT SIDE



- (1) swingarm bushing
- (2) shock absorber attachment points

RIGHT SIDE



- (1) swingarm bushing
- (2) shock absorber attachment points

1. Place the motorcycle on a maintenance stand. Push hard against the side of the rear wheel and feel for any freeplay which indicates worn swingarm bushings (1).

(cont'd)

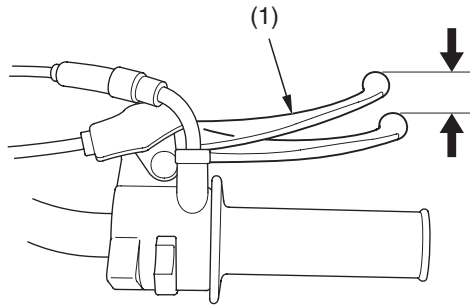
Suspension

2. Check that the fasteners for the shock absorber attachment points (2) are secure.
3. Check for oil leaks in the shock absorber. If any rear suspension components appear worn or damaged, see your Honda dealer for further inspection.

Refer to *Safety Precautions* on page 45.

Front Brake Lever Freeplay

RIGHT SIDE



(1) front brake lever

Inspection

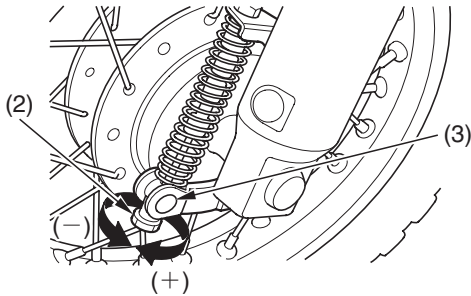
Check freeplay by pulling in slowly on the front brake lever (1) until the brake starts to engage.

Freeplay: $3/8 - 13/16$ in (10–20 mm)

If necessary, adjust to the specified range.

Brakes

LEFT FRONT



(2) adjusting nut
(3) brake arm pin

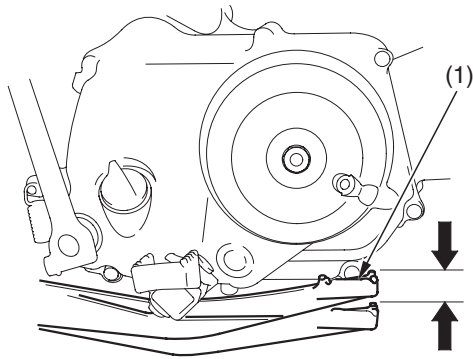
(+) increase freeplay
(-) decrease freeplay

Adjustment

1. Turn the front brake adjusting nut (2). Make sure the cut-out on the adjusting nut is seated on the brake arm pin (3).
2. Apply the brake, release it, then spin the wheel and check that it rotates freely. Repeat this procedure several times.
3. Check the freeplay. If you cannot adjust the freeplay properly, see your Honda dealer.

Rear Brake Pedal Freeplay

RIGHT SIDE



(1) rear brake pedal

Inspection

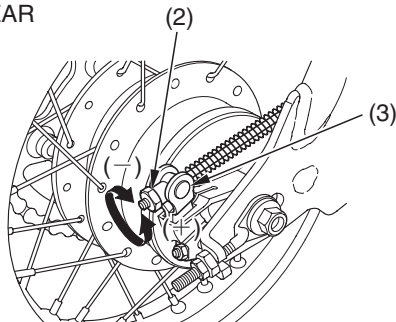
1. Place your motorcycle on its side stand.
2. Check freeplay by slowly depressing the brake pedal (1) until the brake starts to engage.

Freeplay: $3/8 - 13/16$ in (10 – 20 mm)

If necessary, adjust to the specified range.

Brakes

RIGHT REAR



- (2) adjusting nut
(3) brake arm pin

- (+) increase freeplay
(-) decrease freeplay

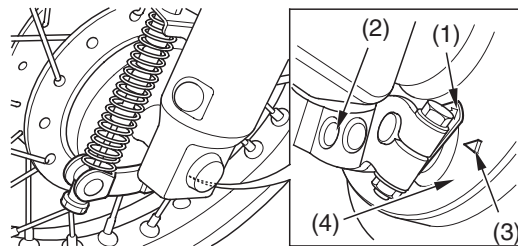
Adjustment

1. Turn the rear brake adjusting nut (2). Make sure the cut-out on the adjusting nut is seated on the brake arm pin (3).
2. Apply the brake, release it, and then spin the wheel and check that it rotates freely. Repeat this procedure several times.
3. Check the freeplay. If you can't adjust the freeplay properly, see your Honda dealer.

Brake Shoe Wear

The front and rear brakes are equipped with external brake wear indicators that let you check brake wear without disassembly. Application of the brake control (lever or pedal) causes the arrow on the brake arm to move toward a reference mark on the brake panel.

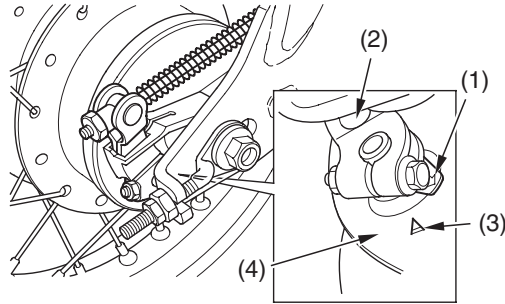
LEFT FRONT



- (1) arrow
(2) brake arm

- (3) reference mark
(4) brake panel

RIGHT REAR



- (1) arrow
(2) brake arm
(3) reference mark
(4) brake panel

1. Place your motorcycle on its side stand.
2. Apply the brake control (lever or pedal) and check the movement of the arrow (1) on the brake arm (2). Replace the brake shoes if the arrow aligns with the reference mark (3) on the brake panel (4) upon full application of the brake. If replacement is necessary, see your Honda dealer.

Other Inspections & Lubrication

- Check that the front lever and rear pedal assemblies are positioned properly and the securing bolts are tight.
- Check the front brake cable for kinks or signs of wear that could cause sticking or failure.
- Lubricate the front brake cable with a commercially-available cable lubricant to prevent premature wear and corrosion.
- Front: Make sure the brake arm, spring, and fasteners are in good condition.
- Rear: Make sure the brake rod, brake arm, spring, and fasteners are in good condition.

Wheels

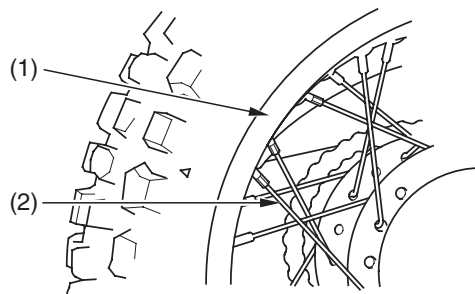
Refer to *Safety Precautions* on page 45 .

Maintenance of spoke tension and wheel trueness (roundness) is critical to safe motorcycle operation. During the first 100 miles (150 km), spokes will loosen more rapidly due to the initial seating of the parts. Excessively loose spokes may result in instability at high speeds and the possible loss of control. Loose spokes may also cause rim or spoke damage (not covered by warranty). It's also important that the rim locks are secure to prevent tire slippage.

It is not necessary to remove the wheels to perform the recommended service in the Maintenance Schedule. However, information for wheel removal is provided for emergency situations.

Wheel Rims & Spokes

REAR

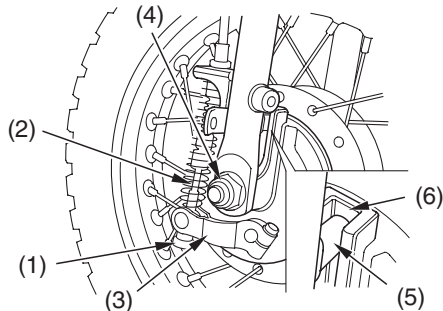


- (1) wheel rim
- (2) spoke

1. Inspect the wheel rims (1) and spokes (2) for damage.
2. Tighten any loose spokes.

3. Rotate the wheel slowly to see if it appears to “wobble.” If it does, the rim is out of round or not “true.” If the wobble is noticeable, see your Honda dealer for inspection.

Front Wheel Removal



- | | |
|-------------------------|--------------------|
| (1) brake adjusting nut | (4) front axle nut |
| (2) brake cable | (5) lug |
| (3) brake arm | (6) slot |

Removal

1. Raise the front wheel off the ground by placing a maintenance stand or support block under the engine. Secure the rear of the motorcycle with tie-down straps.
2. Remove the front fork protector (page 56).
3. Unscrew the front brake adjusting nut (1). Pull the front brake lever in and disconnect the brake cable (2) from the brake arm (3).
4. Remove the front axle nut (4) and front axle shaft.
5. Remove the wheel.
6. Pull the brake assembly out carefully.

Take care to prevent getting grease, oil, or dirt on the brake shoe surfaces. This can cause poor brake performance or rapid brake shoe wear after reassembly.

Wheels

Installation

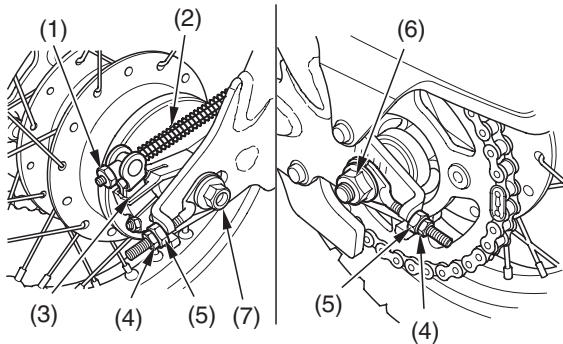
1. Reverse the removal procedure. Make sure the lug (5) on the fork leg is located in the slot (6) in the brake panel.
2. Torque the axle to:
35 lbf·ft (46 N·m , 4.8 kgf·m)
3. Check front brake adjustment (page 85).

If a torque wrench was not used to install the wheel, see your Honda dealer as soon as possible to verify proper assembly. Improper assembly may lead to loss of braking capacity.

Rear Wheel Removal

RIGHT REAR

LEFT REAR



- (1) adjuster
- (2) brake rod
- (3) brake arm
- (4) lock nut

- (5) adjusting nut
- (6) rear axle nut
- (7) rear axle shaft

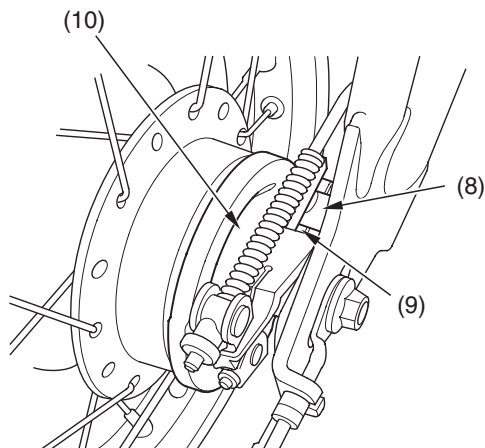
Removal

1. Raise the rear wheel off the ground by placing a maintenance stand or support block under the engine. Secure the front of the motorcycle with tie-down straps.
2. Unscrew the rear brake adjuster (1). Press the rear brake pedal and disconnect the brake rod (2) from the brake arm (3).
3. Loosen the lock nut (4) and adjusting nut (5) on the chain adjuster on both sides.
4. Unscrew the rear axle nut (6). Pull the rear axle shaft (7) out. Push the wheel forward and derail the drive chain from the rear sprocket. Remove the wheel.

Take care to prevent getting grease, oil, or dirt on the brake shoe surfaces. This can cause poor brake performance or rapid brake shoe wear after reassembly.

Wheels

RIGHT REAR



- (8) lug
- (9) slot
- (10) brake panel

Installation

1. Reverse the removal procedure. Make sure the lug (8) on the swingarm is located in the slot (9) in the brake panel (10). Check that the chain adjusters are installed properly.
2. Adjust the drive chain (page 102).
3. Torque the axle nut to:
35 lbf·ft (46 N·m , 4.8 kgf·m)
4. Adjust the rear brake (page 87).
5. Apply the rear brake, release it, then spin the wheel and check that it rotates freely. Repeat this procedure several times.

If a torque wrench was not used to install the wheel, see your Honda dealer as soon as possible to verify proper assembly. Improper assembly may lead to loss of braking capacity.

Refer to *Safety Precautions* on page 45.

To safely operate your motorcycle, the tires must be the proper type (off-road) and size, in good condition with adequate tread, and correctly inflated.

⚠ WARNING

Using tires that are excessively worn or improperly inflated can cause a crash in which you can be seriously hurt or killed.

Follow all instructions in this owner's manual regarding tire inflation and maintenance.

The following pages give detailed information on how and when to check your air pressure, how to inspect your tires for wear and damage,

and our recommendations on tire repair and replacement.

Air Pressure

Properly inflated tires provide the best combination of handling, tread life, and riding comfort. Generally, underinflated tires wear unevenly, adversely affect handling, and are more likely to fail from being overheated. Underinflated tires can also cause wheel damage in rocky terrain. Overinflated tires make your motorcycle ride harshly, are more prone to damage from surface hazards, and wear unevenly.

Make sure the valve stem caps are secure. If necessary, install a new cap.

Tires & Tubes

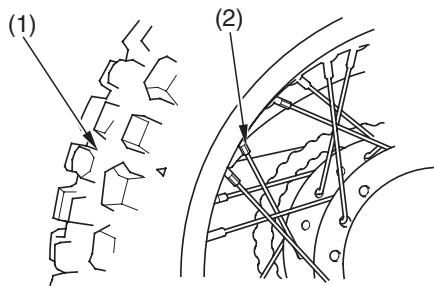
Always check air pressure when your tires are “cold.” If you check air pressure when your tires are “warm” — even if your motorcycle has only been ridden for a few miles — the readings will be higher. If you let air out of warm tires to match the recommended cold pressures, the tires will be underinflated. The correct “cold” tire pressures are:

| | |
|-------|--|
| Front | 15 psi (100 kPa , 1.0 kgf/cm ²) |
| Rear | 18 psi (125 kPa , 1.25 kgf/cm ²) |

If you decide to adjust tire pressures for a particular riding condition, make changes a little at a time.

Inspection

A flat tire or blowout is inconvenient and may even cause an accident. Take time to inspect your tires and wheels before you ride. For more information about handling flat tires, see page 124 .



- (1) tire tread depth
- (2) spoke nut

- Inspect carefully for bumps or bulges in the side of the tire or the tread. Replace any tire that has a bump or bulge.
- Look closely for cuts, slits, or cracks in the tires. Replace a tire if you can see fabric or cord.
- Check for rocks or other objects embedded in the tire or tread. Remove any objects.
- Measure tread depth (1). Replace the tire before depth at the center reaches 0.12 in (3 mm), or any time you notice a reduction in traction.
- Check the position of both valve stems. A tilted valve stem indicates the tube is slipping inside the tire or the tire is slipping on the rim. See your Honda dealer.

Tube Replacement

If a tube is punctured or damaged, you should replace it as soon as possible. A repaired tube may not have the same reliability as a new one, and it may fail while you are riding. For information on making a temporary repair, see page 124 .

Use a replacement tube equivalent to the original.

We recommend that tubes be replaced by your Honda dealer. Replacing a tube requires removing and reinstalling the wheel. Any time a tube is replaced, carefully inspect the tire as described on page 96 .

Tires & Tubes

Tire Replacement

The tires that came on your motorcycle were designed to provide a good combination of handling, braking, durability, and comfort across a broad range of riding conditions.

WARNING

Installing improper tires on your motorcycle can affect handling and stability. This can cause a crash in which you can be seriously hurt or killed.

Always use the size and type of tires recommended in this owner's manual.

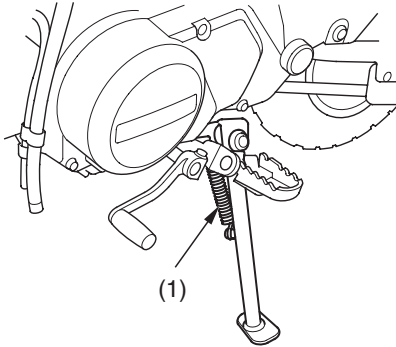
| | |
|-------|----------------|
| Front | 2.50-10 33J |
| Rear | 2.50-10 33J |
| Type | bias-ply, tube |

- Use a replacement tire equivalent to the original.
- Replace the tube any time you replace a tire. The old tube will probably be stretched and, if installed in a new tire, could fail.
- Have the wheel balanced after a new tire is installed.
- We recommend that tires be replaced by your Honda dealer.

Side Stand

Refer to *Safety Precautions* on page 45 .

LEFT SIDE



(1) side stand spring

1. Check the side stand spring (1) for damage and loss of tension.
2. Check the side stand assembly for freedom of movement.

If the side stand is stiff or squeaky, clean the pivot area and lubricate the pivot bolt with clean engine oil.

Drive Chain

Refer to *Safety Precautions* on page 45.

The service life of the chain depends on proper lubrication and adjustment. Poor maintenance can cause premature wear or damage to the drive chain or sprockets.

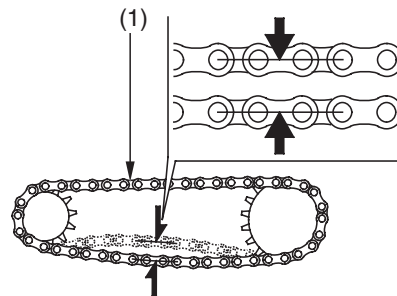
Under severe usage, or when the motorcycle is ridden in unusually dusty or muddy areas, more frequent maintenance will be necessary.

Before servicing your drive chain, turn the engine OFF, lower the side stand, and check that your transmission is in neutral.

It is not necessary to remove or replace the drive chain to perform the recommended service in the Maintenance Schedule.

Inspection

LEFT SIDE



(1) drive chain

1. Check slack in the lower drive chain (1) run midway between the sprockets. Drive chain slack should allow the following vertical movement by hand:
9/16 – 1 in (15 – 25 mm)

Drive Chain

2. Check drive chain slack at several points along the chain. The slack should remain constant. If it isn't, some links may be kinked and binding. Lubricating the chain will often eliminate binding and kinking.

NOTICE

Excessive chain slack may allow the drive chain to damage the engine cases.

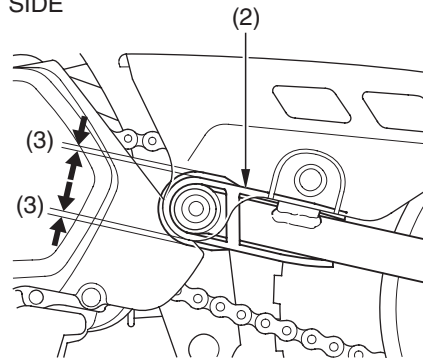
3. Inspect the drive chain for:
 - damaged rollers
 - loose pins
 - dry or rusted links
 - kinked or binding links
 - excessive wear

Replace the drive chain (page 105) if it has damaged rollers, loose pins, or kinks that cannot be freed. Lubricate the drive chain (page 104) if it appears dry or shows signs of rust. Lubricate any kinked or binding links and work them free. Adjust chain slack

if needed.

4. Check the chain slider (2) for wear. If the ridge (3) in the center of the slider is worn, have your Honda dealer replace the chain slider.

LEFT SIDE



(2) chain slider

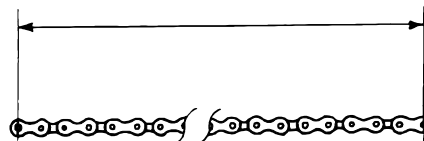
(3) ridge

(cont'd)

Drive Chain

5. Replace the drive chain if chain slack is excessive when the rear axle is moved to the farthest limit of adjustment. Excessive slack indicates the chain is worn beyond its service limit.

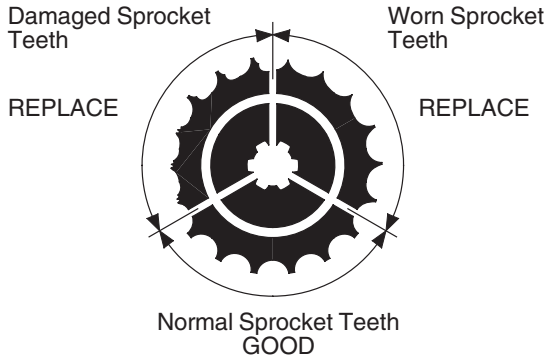
To check the chain's service limit, remove the drive chain (page 105). Then measure the distance between a span of 77 pins, from pin center to pin center. If the distance exceeds the service limit, the drive chain is worn out and should be replaced.



Measure a span of 77 pins

New Chain: 38.5 in (978 mm)
Service Limit: 39.3 in (997 mm)

6. Inspect the front and rear sprocket teeth for excessive wear or damage. If necessary, have your Honda dealer replace a worn sprocket.

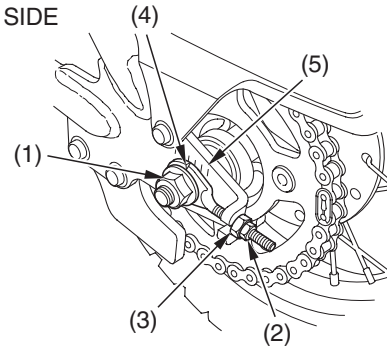


NOTICE

Use of a new chain with worn sprockets will cause rapid chain wear.

Adjustment

LEFT SIDE



- (1) rear axle nut
(2) lock nut
(3) adjusting nut

- (4) adjuster index mark
(5) graduated scale

1. Loosen the rear axle nut (1).
2. Loosen the lock nuts (2) on both sides of the swingarm.

(cont'd)

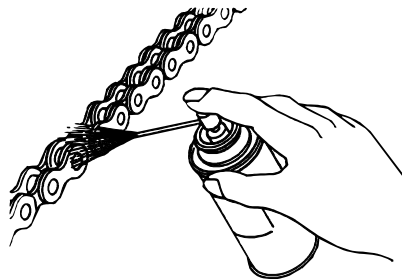
Drive Chain

3. Turn the adjusting nuts (3) on the right and left chain adjusters an equal number of turns to increase or decrease chain slack.
4. Align the chain adjuster index marks (4) with the graduated scales (5) on both sides of the swingarm.
5. Torque the rear axle nut to:
35 lbf·ft (46 N·m , 4.8 kgf·m)

If a torque wrench is not used for this installation, see your Honda dealer as soon as possible to verify proper assembly.

6. Tighten the adjusting nuts lightly. Then, while holding the adjusting nuts with a wrench, tighten the lock nuts.
7. Recheck drive chain slack.
8. Check rear brake pedal freeplay and adjust as necessary (page 87). Freeplay is affected when repositioning the rear wheel to adjust drive chain slack.

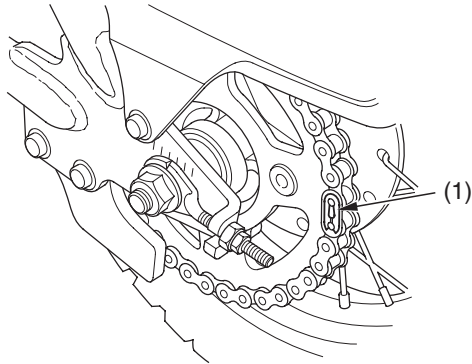
Lubrication



Lubricate every 300 miles (500 km) or sooner if chain appears dry. Turn the rear wheel by hand. Saturate each chain link joint so that the lubricant penetrates between the link plates, pins, bushings, and rollers.

Removal, Cleaning & Replacement

LEFT SIDE



(1) master link retaining clip

When the drive chain becomes extremely dirty, it should be removed and cleaned prior to lubrication.

1. Remove the master link retaining clip (1) with pliers. Do not bend or twist the clip. Remove the master link. Remove the drive chain.
2. Clean the drive chain with a non-flammable (high flash point) solvent such as kerosene— not gasoline— and allow it to dry.
3. Inspect the drive chain for possible wear or damage. Replace the drive chain if it has damaged rollers, loose fitting links, or otherwise appears unserviceable.

(cont'd)

Drive Chain

4. Inspect the sprocket teeth for wear or damage. We recommend replacing the sprocket whenever a new chain is installed.
5. Lubricate the drive chain.
6. Pass the chain over the sprockets and join the ends of the chain with the master link. For ease of assembly, hold the chain ends against adjacent rear sprocket teeth while inserting the master link. Install the master link retaining clip so that the closed end of the retaining clip will face the direction of forward wheel rotation.

More About: Drive Chain

- The master link is the most critical element of drive chain security. Master links are reusable, as long as they remain in excellent condition. We recommend installing a new master link retaining clip when the drive chain is reassembled.
- You may find it easier to install a new chain by connecting it to the old chain with a master link and pulling the old chain to position the new chain on the sprockets.

Refer to *Safety Precautions* on page 45.

Frequent cleaning and polishing will keep your Honda looking newer longer. Frequent cleaning also identifies you as an owner who values your motorcycle. A clean motorcycle is also easier to inspect and service.

While you're cleaning, be sure to look for damage, wear, and gasoline or oil leaks.

General Recommendations

- To clean your motorcycle, you may use:
 - water
 - a mild, neutral detergent and water
 - a mild spray and wipe cleaner/polisher
 - a mild spray and rinse cleaner/degreaser and water
- Avoid products that contain harsh detergents or chemical solvents that could damage the metal, paint, and plastic on your motorcycle.
- If your motorcycle is still warm from recent operation, give the engine and exhaust system time to cool off.

(cont'd)

Appearance Care

- We recommend the use of a garden hose to wash your motorcycle. High pressure washers (like those at coin-operated car washes) can damage certain parts of your motorcycle. If you use a high pressure washer, avoid spraying the following areas:

wheel hubs
muffler outlet
area under seat
engine stop switch
under fuel tank
drive chain
carburetor

NOTICE

High pressure water (or air) can damage certain parts of your motorcycle.

Washing Your Motorcycle with a Mild Detergent

1. Rinse your motorcycle thoroughly with cool water to remove loose dirt.
2. Fill a bucket with cool water. Mix in a mild, neutral detergent, such as dish washing liquid or a product made especially for washing motorcycles or automobiles.
3. Wash your motorcycle with a sponge or a soft towel. As you wash, check for heavy grime. If necessary, use a mild cleaner/degreaser to remove the grime.
4. After washing, rinse your motorcycle thoroughly with plenty of clean water to remove any residue.
5. Dry your motorcycle with a chamois or a soft towel.

6. Lubricate the drive chain to prevent rusting.
7. Start the engine and let it idle for several minutes. The engine heat will help dry moist areas.
8. As a precaution, ride at a slow speed and apply the brakes several times. This will help dry the brakes and restore normal braking performance.

Here's helpful advice on how to prepare for an off-road adventure, how to transport and store your Honda, and how to be an environmentally responsible motorcycle owner.

| | |
|------------------------------|-----|
| Preparing for a Ride..... | 112 |
| Transporting Your Honda..... | 114 |
| Storing Your Honda..... | 116 |
| You & the Environment..... | 119 |

Preparing for a Ride

A safe and enjoyable ride begins with good planning and preparation. Always ride with at least one other person in case you have trouble, and let someone know where you're going and when you expect to return.

Before riding in an unfamiliar area, find out in advance if you need special permits, get maps so you can study the terrain, and talk to other riders who know the area. The Forest Service and the Bureau of Land Management (USA only), the Ministry of Natural Resources (Canada only), riding clubs, and off-road magazines are good sources of information.

What to Take to the Riding Area

Along with your motorcycle and riding gear, you should take along some tools and supplies in case you have a problem. For some of the difficulties you might encounter, see *Taking Care of the Unexpected*, which begins on page 121 .

We recommend that you always take water, food, a first aid kit, and your owner's manual. Other items you should consider loading on your truck or trailer include:

- a tool kit
- tire repair supplies and tools, tubes, and tires
- extra parts, such as a drive chain and master links, control levers, cables, and spark plugs
- wire, duct tape, and rope
- extra gasoline

Preparing for a Ride

For safety, all refueling should be done at a gas station on the way to the riding area or at your base camp.

What to Take on the Trail

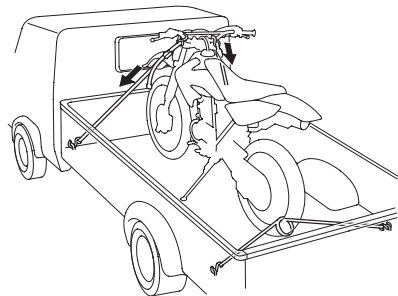
What you take with you during a ride depends on the kind of terrain, how long you expect to ride, how far you might go from your base camp or help, and how experienced you or your companions are in making repairs.

If you decide to take some tools, spare parts, or other supplies on the trail, be sure you can carry them safely and know how to use them. Also, be sure to follow the loading guidelines and weight limit (page 9).

Transporting Your Honda

If you use a truck or motorcycle trailer to transport your Honda, we recommend that you follow these guidelines:

- Use a loading ramp.
- Make sure the fuel valve is off.
- Secure the motorcycle in an upright position, using motorcycle tie-down straps. Avoid using rope, which can loosen and allow the motorcycle to fall over.



To secure your motorcycle, brace the front wheel against the front of the truck bed or trailer rail. Attach the lower ends of two straps to the tie-down hooks on your vehicle. Attach the upper ends of the straps to the handlebar (one on the right side, the other on the left), close to the fork.

Transporting Your Honda

Check that the tie-down straps do not contact any control cables or electrical wiring.

Tighten both straps until the front suspension is compressed about half-way. Too much pressure is unnecessary and could damage the fork seals.

Use another tie-down strap to keep the rear of the motorcycle from moving.

We recommend that you do not transport your motorcycle on its side. This can damage the motorcycle, and leaking gasoline could be a hazard.

Storing Your Honda

If you won't be riding for an extended period, such as during the winter, thoroughly inspect your motorcycle and correct any problem before storing it. That way, needed repairs won't be forgotten and it will be easier to get your motorcycle running again.

For more information about storage, refer to the *Honda Motorcycle Winter Storage Guide*, available from your Honda dealer (USA only).

We suggest you perform the following procedures to keep your motorcycle in top condition. These storage procedures will reduce the deterioration that can occur during storage.

Storing Your Honda

Preparation for Storage

1. Change the engine oil (page 64).
 2. Fill the fuel tank. Make sure the fuel fill cap is properly installed.
 3. Check that the fuel valve is OFF.
4. Drain the carburetor into an approved gasoline container and dispose of it in an approved manner (page 119). If storage will last longer than one month, carburetor draining is important, to assure proper performance after storage.

WARNING

Gasoline is highly flammable and explosive. You can be burned or seriously injured when handling fuel.

- Stop the engine and keep heat, sparks and flame away.
- Handle fuel only outdoors.
- Wipe up spills immediately.

(cont'd)

Storing Your Honda

5. Wash and dry your motorcycle.
6. Lubricate the drive chain.
7. Inflate the tires to their recommended pressures (page 95).
8. Store your motorcycle in an unheated area, free of dampness, away from sunlight, with a minimum of daily temperature variation.
9. Cover your motorcycle with a porous material. Avoid using plastic or similar non-breathing, coated materials that restrict air flow and allow heat and moisture to accumulate.

Removal from Storage

1. Uncover and clean your motorcycle.
2. If your motorcycle has been stored for more than four months — change the engine oil (page 64).
3. If your motorcycle has been stored for more than two months — drain and replace the fuel.
4. Lubricate the drive chain.
5. Perform a pre-ride inspection (page 27), then test-ride your motorcycle at low speeds.

You & the Environment

Owning and riding a motorcycle can be enjoyable, but you must do your part to protect nature. When you show respect for the land, wildlife, and other people, you also help preserve the sport of off-road riding.

Following are tips on how you can be an environmentally-responsible motorcycle owner.

- **Tread Lightly.** Stay on existing roads and trails, avoid surfaces that are easily damaged, and ride only in areas approved for off-road vehicles.
- **Keep the Noise Down.** Loud motorcycles can be offensive. Ride as quietly as possible, don't remove your spark arrester, and don't modify the muffler or any other part of your air intake and exhaust systems. Such modifications not only increase noise, they also reduce engine performance and may be illegal.

- **Choose Sensible Cleaners.** Use a biodegradable detergent when you wash your motorcycle. Avoid aerosol spray cleaners that contain chlorofluorocarbons (CFCs) which damage the atmosphere's protective ozone layer. Don't throw cleaning solvents away; see the following guidelines for proper disposal.

(cont'd)

You & the Environment

- **Recycle Wastes.** It's illegal and thoughtless to put used engine oil in the trash, down a drain, or on the ground. Used oil, gasoline, and cleaning solvents contain poisons that can hurt refuse workers and contaminate our drinking water, lakes, rivers, and oceans. Before changing your oil, make sure you have the proper containers. Put oil and other toxic wastes in separate sealed containers and take them to a recycling center. Call your local or state office of public works or environmental services to find a recycling center in your area and get instructions on how to dispose of non-recyclable wastes.

Taking Care of the Unexpected

With all the challenges you can encounter off-road, there's a chance that sometime something may go wrong. This section gives practical advice to help you deal with a wide range of problems. Take time to read this section before you ride. Also review the tips in *Preparing for a Ride* (page 112).

| | |
|---|-----|
| General Guidelines..... | 122 |
| If Your Engine Quits or Won't Start | 123 |
| If You Have a Flat Tire..... | 124 |
| If You Crash..... | 125 |
| If You Lose Your Key | 126 |
| If a Component Fails | 127 |

Taking Care of the Unexpected

General Guidelines

If something goes wrong during a ride, the first thing to do is stop as soon as you safely can. Do not continue riding if you have a flat tire, or you hear an unusual noise, or your motorcycle just doesn't feel right. If you continue riding, you could cause more damage and endanger your own safety.

After a stop, take time to assess the situation. Carefully inspect your motorcycle to identify the problem, then consider your options before you decide what to do.

If a problem is relatively minor and you have the tools, supplies, and skills to make a permanent repair, you may be able to fix it on the trail and continue riding. Or, you may be able to make a temporary repair that allows you to slowly ride back to your base where you can make a permanent repair or get help.

When a problem is more serious — or you don't have the tools, supplies, experience, or time to deal with it — you need to choose the safest way to get yourself and your motorcycle back to base. For example, if you are close enough, you (or you and another person) might be able to push it back.

Whatever the problem, the most important rules are:

- Always put personal safety first.

Taking Care of the Unexpected

- If the problem is relatively minor and you have the tools, supplies, and skills to make a temporary repair, be sure to have permanent repairs made as soon as possible.
- Do not continue riding if you are hurt or your motorcycle is not in safe riding condition.

Additional recommendations for specific problems follow.

If Your Engine Quits or Won't Start

If the engine wasn't making any unusual noises before it quit running, and it feels normal when you operate the kickstarter, you can probably rule out a major mechanical problem.

The next area to check is the fuel system:

- Make sure there is enough gas in the tank and the fuel valve is at the ON or RES position.
- Check the fuel fill cap vent tube to see if it is pinched or obstructed.
- Turn the fuel valve OFF, disconnect the fuel line that goes from the fuel valve to the carburetor, then momentarily turn the fuel valve ON. If fuel does not flow out, there is an obstruction in the fuel tank or the fuel valve.

Taking Care of the Unexpected

If the fuel system appears to be okay, check the ignition system (this requires a spark plug wrench):

- Check that the spark plug cap isn't loose or disconnected.
- Disconnect the spark plug cap and remove the spark plug. Connect the spark plug cap to the spark plug and ground the threaded portion of the spark plug on the cylinder head.
- Operate the kickstarter while you watch the spark plug. If it sparks, the ignition system is probably working. If there is no spark, install a new spark plug, if you have one with you. If there is still no spark, there is a problem in the ignition system.

If you cannot identify or correct the problem, you will have to push your motorcycle back to your base or get some help.

If You Have a Flat Tire

How you handle a flat tire on the trail depends on how serious the tube or tire damage is, and what tools and supplies you have with you.

If you have a slow leak or a minor puncture, there are two ways to try making a temporary repair:

- Use an aerosol tire sealer to seal the puncture and inflate the tube. (This can be done without removing the tire or wheel.)
- Use a tube patch kit to repair the puncture. (This requires removing the tire.)

Taking Care of the Unexpected

If the leak is more serious, or a temporary repair doesn't hold, the tube must be replaced. The tire will also need to be replaced if it is damaged (page 98). Replacing a tube or tire involves removing and re-installing the wheel (pages 91 , 93).

If you are unable to repair a flat tire on the trail, you will need to push the motorcycle back to your base or send for help. We strongly recommend that you do not try to ride with a flat tire. The motorcycle will be hard to handle, and if the tire comes off the rim, it may lock up the wheel and cause you to crash.

If You Crash

Personal safety is your first priority after an accident. If you or anyone else has been injured, take time to assess the severity of the injuries and whether it is safe to continue riding. If you cannot ride safely, send someone for help. Do not ride if you will risk further injury.

If you decide you are capable of riding safely, carefully inspect your motorcycle for damage and determine if it is safe to ride. Check the tightness of critical nuts and bolts securing such parts as the handlebar, control levers, brakes, and wheels.

Taking Care of the Unexpected

If there is minor damage, or you are unsure about possible damage but decide to try riding the motorcycle back to your base, ride slowly and cautiously.

Sometimes, crash damage is hidden or not immediately apparent. When you get home, thoroughly check your motorcycle and correct any problems you find. Also, be sure to have your Honda dealer check the frame and suspension after any serious crash.

If You Lose Your Key

Be sure to record your key number in the *Quick Reference* section at the rear of the manual. You'll need this number to have a duplicate key made.

If you lose your key and aren't carrying a duplicate, either get your spare or have one made. If you don't know your key number, call the dealer you purchased your Honda from. They may have it listed in their records. If they don't, transport your motorcycle to them or the nearest Honda dealer. The dealer will probably have to remove the ignition switch assembly to find the key number so they can make a key for you.

Taking Care of the Unexpected

If a Component Fails

The drive chain, master link, brake lever or pedal, control cables, and other components can be damaged as you ride in dense brush or over rocky terrain. Making a trailside repair depends on how serious the damage is and what tools and supplies you have with you.

- If the drive chain comes off because the master link clip gets knocked off, you may be able to put the chain back on with a new master link. However, if the chain breaks or does other damage when it comes off, you may not be able to make a trailside repair.
- If any component of the front brake system is damaged, you may be able to ride carefully back to your base using the rear brake for slowing or stopping.
- If you damage a throttle cable or other critical component, your motorcycle may be unsafe to ride. Carefully assess the damage and make any repairs that you can. But if there is any doubt, it's best to be conservative and safe.

Technical Information

This section contains dimensions, capacities, and other technical data, plus information on government requirements and how to break-in your motorcycle.

| | |
|--------------------------------|-----|
| Vehicle Identification | 130 |
| Specifications..... | 132 |
| Break-in Guidelines | 137 |
| Emission Control Systems | 138 |
| Oxygenated Fuels..... | 142 |

Vehicle Identification

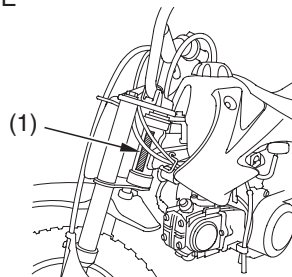
Serial Numbers

The VIN and engine serial numbers are required when you register your motorcycle. They may also be required when ordering replacement parts. You may record these numbers in the *Quick Reference* section at the rear of the manual.

The VIN (1) is stamped on the left side of the steering head.

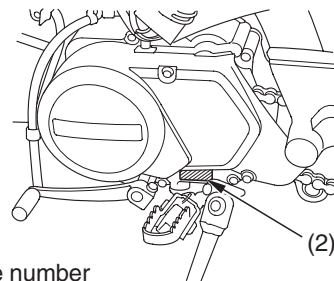
The engine number (2) is stamped on the left side of the engine.

LEFT SIDE



(1) VIN

LEFT SIDE



(2) engine number

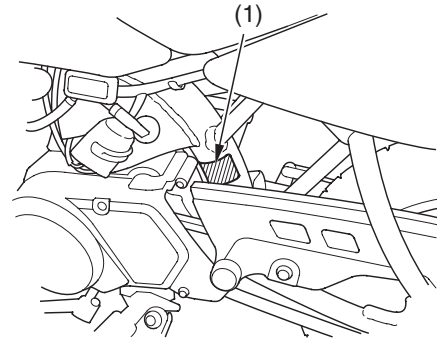
Vehicle Identification

Color Label & Code

The color label (1) is attached to the left side of the frame down tube.

The color code is helpful when ordering replacement parts. You may record the color and code in the *Quick Reference* section at the rear of the manual.

LEFT SIDE



(1) color label

Specifications

| Dimensions | |
|-------------------|--------------------|
| Overall length | 51.3 in (1,302 mm) |
| Overall width | 22.9 in (581 mm) |
| Overall height | 30.5 in (774 mm) |
| Wheelbase | 35.9 in (911 mm) |

| Fuel & Lubricants | |
|------------------------------|--|
| Fuel tank capacity | 0.79 US gal (3.0 ℓ) including reserve |
| Fuel tank reserve | 0.24 US gal (0.9 ℓ) |
| Fuel recommendation | unleaded gasoline, pump octane number of 86 or higher |
| Air cleaner oil | Pro Honda (USA only) or Honda (Canada only) Foam Filter Oil or an equivalent |
| Engine oil capacity | after draining: 0.6 US qt (0.6 ℓ) after disassembly: 0.8 US qt (0.8 ℓ) |

Specifications

| Fuel & Lubricants | |
|------------------------------|--|
| Engine oil recommendation | API Service Classification SG or higher except oils labeled as energy conserving on the circular API service label, SAE 10W-30, JASO T 903 standard MA, Pro Honda GN4 or HP4 (without molybdenum additives) 4-stroke oil (USA & Canada) or Honda 4-stroke oil (Canada only), or an equivalent motorcycle oil |

| Fuel & Lubricants | |
|------------------------------|---|
| Drive chain lubricant | Pro Honda Chain Lube or an equivalent, or SAE 80 or 90 gear oil |

| Capacities | |
|-------------------------|-----------------------------|
| Passenger capacity | operator only; no passenger |
| Maximum weight capacity | 88 lbs (40 kg) |
| Cargo capacity | none |

| Engine Specifications | |
|------------------------------|------------------------------------|
| Displacement | 3.01 cu-in (49.4 cm ³) |
| Bore & stroke | 1.54 × 1.63 in (39.0 × 41.4 mm) |
| Compression ratio | 10.0 : 1 |

Specifications

| Engine Specifications | |
|--|---|
| Valve clearance (cold) | Intake: 0.002 in (0.05 mm) Exhaust: 0.002 in (0.05 mm) |
| Spark plug (standard) | CR6HSA (NGK) or U20FSR-U (DENSO) |
| Spark plug (cold climate; below 5°C, 41°F) | CR5HSA (NGK) or U16FSR-U (DENSO) |
| Spark plug (extended high speed riding) | CR7HSA (NGK) or U22FSR-U (DENSO) |
| Spark plug gap | 0.024 – 0.028 in (0.60 – 0.70 mm) |
| Idle speed | 1,700 ± 100 rpm |

| Power Transmission | |
|---------------------------|-------|
| Primary reduction | 4.058 |
| Gear ratio, 1st | 3.272 |
| 2nd | 1.667 |
| 3rd | 1.190 |
| Final reduction | 2.642 |
| Final drive | chain |

Specifications

| Power Transmission | |
|---------------------------------|--|
| Drive chain freeplay | 9/16 – 1 in (15 – 25 mm) |
| New chain length | 38.5 in (978 mm) distance between a span of 77 pins |
| Used chain service limit length | 39.3 in (997 mm) distance between a span of 77 pins |

| Chassis & Suspension | |
|---------------------------------|---|
| Caster | 25°00' |
| Trail | 1.3 in (32 mm) |
| Tire size, front | 2.50-10 33J |
| Tire size, rear | 2.50-10 33J |
| Tire type | bias-ply, tube |
| Tire pressure, front (cold) | 15 psi (100 kPa , 1.0 kgf/cm ²) |
| Tire pressure, rear (cold) | 18 psi (125 kPa , 1.25 kgf/cm ²) |
| Suspension, front | 3.79 in (96.3 mm) cushion stroke |
| | 3.4 in (87 mm) axle travel |
| Suspension, rear | 2.8 in (70 mm) axle travel |

Specifications

| Torque Specifications | |
|------------------------------|-----------------------------------|
| Engine oil drain bolt | 18 lbf·ft (24 N·m , 2.5 kgf·m) |
| Wheel axles | 35 lbf·ft (46 N·m , 4.8 kgf·m) |

Break-in Guidelines

Help assure your motorcycle's future reliability and performance by paying extra attention to how you ride during the first operating day or 15 miles (25 km).

During this period, avoid full-throttle starts and rapid acceleration.

Emission Control Systems

Exhaust Emission Requirements (USA only)

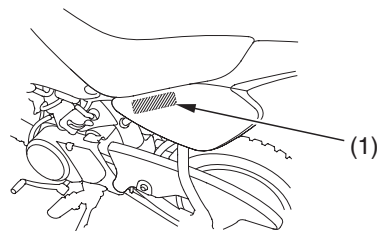
The U.S. Environmental Protection Agency (EPA) and the California Air Resources Board (CARB) require that your motorcycle comply with applicable exhaust emission standards during its useful life, when operated and maintained according to the instructions provided.

Noise Emission Requirements

The EPA also requires that motorcycles built after January 1, 1983 comply with applicable noise emission standards for one year or 1,865 miles (3,000 km) after the time of sale to the ultimate purchaser, when operated and maintained according to the instructions provided. (USA only)

The Vehicle Emission Control Information Label (1) is attached to the inside of the left side cover.

LEFT SIDE



(1) vehicle emission control information label

Emission Control Systems

Source of Emissions

The combustion process produces carbon monoxide (CO), oxides of nitrogen (NO_x), and hydrocarbons (HC). Control of hydrocarbons and oxides of nitrogen is very important because, under certain conditions, they react to form photochemical smog when subjected to sunlight. Carbon monoxide does not react in the same way, but it is toxic.

Honda Motor Co., Ltd. utilizes various systems to reduce carbon monoxide, oxides of nitrogen and hydrocarbons.

Exhaust Emission Control System

The exhaust emission control system is composed of appropriate carburetor settings. No adjustments should be made except for an idle speed adjustment with the throttle stop screw or carburetor adjustment for high altitude operation. The exhaust emission control system is separate from the crankcase emission control system.

Crankcase Emission Control System

The engine is equipped with a closed crankcase system to prevent discharging crankcase emissions into the atmosphere. Blow-by gas is returned to the combustion chamber through the air cleaner and the carburetor.

Emission Control Systems

Noise Emission Control System

TAMPERING WITH THE NOISE CONTROL SYSTEM IS PROHIBITED: U. S. federal law prohibits, or Canadian provincial laws may prohibit the following acts or the causing thereof: (1) The removal or rendering inoperative by any person, other than for purposes of maintenance, repair or replacement, of any device or element of design incorporated into any new vehicle for the purpose of noise control prior to its sale or delivery to the ultimate purchaser or while it is in use; or (2) the use of the vehicle after such device or element of design has been removed or rendered inoperative by any person.

AMONG THOSE ACTS PRESUMED TO CONSTITUTE TAMPERING ARE THE ACTS LISTED BELOW:

1. Removal of, or puncturing the muffler, baffles, header pipes, or any other component which conducts exhaust gases.
2. Removal of, or puncturing of any part of the intake system.
3. Lack of proper maintenance.
4. Replacing any moving parts of the vehicle, or parts of the exhaust or intake system, with parts other than those specified by the manufacturer.

Problems that May Affect Motorcycle Emissions

If you are aware of any of the following symptoms, have the vehicle inspected and repaired by your Honda Motorcycle Dealer:

1. Hard starting or stalling after starting
2. Rough idle
3. Misfiring or backfiring during acceleration
4. After-burning (backfiring)
5. Poor performance (driveability) and poor fuel economy

Federal regulations prohibit removing or disabling a device or element of design that may affect your engine's emission performance unless your motorcycle will be used exclusively in competition. If you modify your engine for use in sanctioned competition events, you must deface or destroy the emission control information label.

Oxygenated Fuels

Some conventional gasolines are being blended with alcohol or an ether compound. These gasolines are collectively referred to as oxygenated fuels. To meet clean air standards, some areas of the United States and Canada use oxygenated fuels to help reduce emissions.

If you use an oxygenated fuel, be sure it is unleaded and meets the minimum octane rating requirement.

Before using an oxygenated fuel, try to confirm the fuel's contents. Some states/provinces require this information to be posted on the pump.

The following are the EPA-approved percentages of oxygenates:

ETHANOL (ethyl or grain alcohol) 10% by Volume

You may use gasoline containing up to 10% ethanol by volume. Gasoline containing ethanol may be marketed under the name "Gasohol".

MTBE (Methyl Tertiary Butyl Ether) 15% by Volume

You may use gasoline containing up to 15% MTBE by volume.

METHANOL (methyl or wood alcohol) 5% by Volume

You may use gasoline containing methanol containing up to 5% methanol by volume as long as it contains cosolvents and corrosion inhibitors to protect the fuel system. Gasoline containing more than 5% methanol by volume may cause starting and/or performance problems. It may also damage metal, rubber, and plastic parts of your fuel system.

If you notice any undesirable operating symptoms, try another service station or switch to another brand of gasoline.

Fuel system damage or performance problems resulting from the use of an oxygenated fuel containing more than the percentages of oxygenates mentioned above are not covered under warranty.

Oxygenated fuels can damage paint and plastic. Be careful not to spill fuel when filling the fuel tank. Wipe up any spills immediately.

NOTICE

Oxygenated fuels can damage paint and plastic. Damage caused by spilled fuel is not covered under warranty.

Consumer Information

This section contains information on your warranty and how to get an official Honda service manual.

| | |
|--|-----|
| Authorized Manuals..... | 146 |
| Warranty Coverage | 149 |
| Warranty Service..... | 150 |
| Contacting Honda | 151 |
| The Honda Rider's Club (USA only)..... | 152 |
| Your Honda Dealer | 153 |

Authorized Manuals

The Service Manual used by your authorized Honda dealer is available from Helm, Inc. (USA only, Canada: See your Honda dealer to order authorized manuals.)

Also available but not necessary to service your model is the Honda Common Service Manual which explains theory of operation and basic service information for various systems common to all Honda motorcycles, motor scooters and ATVs.

These Honda manuals are written for the professional technician, but most mechanically-capable owners should find them easy to use if they have the proper tools and observe proper safety standards. Special Honda tools are necessary for some procedures.

| Publication Item No. | Description | Price Each* |
|-----------------------------|----------------------------|--------------------|
| 61GEL53 | 2007 CRF50F Service Manual | \$38.00 |
| 61CM002 | Common Service Manual | \$48.00 |
| 31GEL670 | 2007 CRF50F Owner's Manual | \$16.00 |

** Prices are subject to change without notice and without incurring obligation.*

Order On-Line: www.helminc.com

Order Toll Free: 1-888-CYCLE93 (1-888-292-5393)

(NOTE: For Credit Card Orders Only)

Monday — Friday 8:00 AM — 6:00 PM EST

OR

By completing this form you can order the materials desired. You can pay by check or money order, or charge to your credit card. Mail to Helm, Inc. at the address shown on the back of this order form (USA only).

Canada: See your Honda dealer to order authorized manuals.

| Publication Item No. | Item Description | Qty. | Price Each* | Total Price |
|--|--|-------------|------------------------|------------------------|
| | | | | |
| | | | | |
| | | | | |
| *Prices are subject to change without notice and without incurring obligation. Orders are mailed within 10 days. Please allow adequate time for delivery. | Sub Total | | | |
| | Purchaser's Sales Tax Mich. Add 6 % Calif. Add 8.25 % | | | |
| | Handling Charge | | | \$5.00 |
| | Grand Total | | | |

| | | |
|----------------------------|--|----------------------------|
| S H I P T O | NOTE: Dealers and Companies please provide dealer or company name, and also the name of the person to whose attention the shipment should be sent. | |
| | Customer Name _____ | Attention _____ |
| | Street Address - No P. O. Box Number _____ | Apartment Number _____ |
| | City _____ | State _____ Zip Code _____ |
| | Daytime Telephone Number () _____ | |

| | | | | |
|---------------------------------|--|--|---|--|
| P A Y M E N T | <input type="checkbox"/> Check or money order enclosed payable to Helm Inc. U.S. funds only. Do not send cash. | | <input type="checkbox"/> Check here if your billing address is different from the shipping address shown above. | |
| | <input type="checkbox"/> MasterCard | Account Number | Expiration: Mo. Yr. | |
| | <input type="checkbox"/> VISA | <input type="text"/> <input type="text"/> <input type="text"/> <input type="text"/> <input type="text"/> <input type="text"/> <input type="text"/> <input type="text"/> <input type="text"/> <input type="text"/> <input type="text"/> | <input type="text"/> — <input type="text"/> | |
| | <input type="checkbox"/> Discover | | | |
| | Customer Signature _____ | | Date _____ | |

These Publications cannot be returned for credit without receiving advance authorization within 14 days of delivery. On returns, a restocking fee may be applied against the original order.

HELM P.O. BOX 07280, DETROIT, MICHIGAN 48207

Warranty Coverage

Your new Honda is covered by these warranties:

- Motorcycle Limited Warranty
- Exhaust Emission Warranty (USA only)
- Noise Control Warranty (USA only)

There are responsibilities, restrictions, and exclusions which apply to these warranties. Please read the Honda Motorcycle Warranties Booklet given to you by your Honda dealer at the time of purchase. Be sure to keep your Honda owner's card (USA only) with your Warranties Booklet.

It is important to realize that your warranty for your Honda applies to defects in material or factory workmanship. Your warranty coverage does not apply to normal wear or deterioration associated with using the motorcycle.

Your warranty coverage will not be voided if you choose to perform your own maintenance. However, you should have the proper tools and service information and be mechanically qualified. Failures that occur due directly to improper maintenance or lack of maintenance are not covered.

Almost all of your warranty coverage can be extended through the Honda Protection Plan (USA only). For more information, see your Honda dealer.

Warranty Service

Please remember that recommended maintenance interval servicing is not included in your warranty coverage. Additionally, your warranty does not apply to the normal wear of items (such as brakes, tires, etc.).

If you believe you have a problem with your Honda, call the service department of your Honda dealer. Make an appointment for an inspection and diagnosis. Remember, as the owner of the motorcycle, you will be asked to authorize that inspection. Your dealer will give you the results of the inspection. If the problem is covered under warranty, your dealer will perform the warranty repairs for you.

If you have questions about warranty coverage or the nature of the repair, it is best to talk to the service manager of your Honda dealer.

Sometimes, in spite of the best intentions of all concerned, a misunderstanding may occur. If you aren't satisfied with your dealer's handling of the situation, we suggest you discuss your problem with the appropriate member of the dealership's management team. If the problem has already been reviewed with the Service Manager, Parts Manager, Sales Manager, etc., contact the Owner of the dealership or his designated representative.

Contacting Honda

Your owner's manual was written to cover most of the questions you might ask about your Honda. Any questions not answered in the owner's manual can be answered by your Honda dealer. If he doesn't have the answer right away, he will get it for you.

If you have a difference of opinion with your dealer, please remember that each dealership is independently owned and operated. That's why it's important to work to resolve any differences at the dealership level.

If you wish to comment on your experiences with your Honda or with your dealer, please send your comments to the following address (USA only):

Motorcycle Division, American Honda Motor Co., Inc., P.O. Box 2220, Torrance, CA 90509-2220, mailstop: 100-4C-7B, telephone: (866) 784-1870.

Canada: Refer to the warranty booklet that was supplied with your vehicle.

Please include the following information in your letter:

- name, address, and telephone number
- product model, year, and VIN
- date of purchase
- dealer name and address

We will likely ask your Honda dealer to respond, or possibly acknowledge your comments directly.

The Honda Rider's Club (USA only)

One of the best ways to get the most enjoyment from owning and riding your Honda is through the Honda Rider's Club of America. Your purchase of a new motorcycle, scooter, ATV or PWC from a participating U.S. Honda dealer entitles you to a complimentary one-year membership in the Club. There are hundreds of HRCA Chapter-sponsoring dealers across the USA with events and activities almost every weekend. Membership benefits include:

- 24-hour, toll-free roadside assistance for your new Honda (includes roadside assistance for your transport vehicle [up to one ton] as long as your Honda is aboard or in tow). *For street-legal motorcycles and scooters only.*
 - An exclusive HRCA website complete with access to the official Honda Common Service Manual, contests, insider information and more.
- Reimbursement (up to \$75) for successful completion of a Motorcycle Safety Foundation training course. Separate, complimentary training from the Specialty Vehicle Institute of America for purchasers of new ATVs.
 - One full year of *Honda Red Rider* magazine (six issues).
 - Discounts from HRCA partners for experienced rider courses.
 - Discounted vehicle insurance from the HRCA's insurance partner.
 - Racing contingency programs and assistance at selected dual-sport, off-road and motocross events for off-road motorcycles and selected ATVs.

The Honda Rider's Club (USA only)

If you purchased an off-road motorcycle, ATV or PWC, your benefits do not include roadside assistance or trip interruption protection.

Contact your Honda dealer for more information or call:
1-800-847-4722 or log on to
www.hrca.honda.com.

Your Honda Dealer

Once you purchase your new Honda, get familiar with the organization of your Honda dealer so you can utilize the full range of services available.

The service department is there to perform regular maintenance and unexpected repairs. It has the latest available service information from Honda. The service department will also handle warranty inspections and repairs.

The parts department offers Genuine Honda parts, Pro Honda products, Hondaline accessories (USA only), and Honda accessories and products (Canada only). The same quality that went into your Honda can be found in Genuine Honda replacement parts. You'll also find comparable quality in the accessories and products available from the parts department.

The sales department offers the Honda Protection Plan to extend almost all of your warranty coverage (USA only).

Your dealer can inform you about competition and other riding events in your area. You'll also find that your dealer is a source of information (USA only) about American Honda's Rider Education Centers and the Honda Rider's Club of America.

We're sure you'll be as pleased with the service your Honda dealer continues to provide after the sale as you are with the quality and dependability of your Honda.

Table of Contents

The following presents the contents of each section of your owner's manual.

| | |
|--|-----------|
| MOTORCYCLE SAFETY | 1 |
| Important Safety Information | 2 |
| Important Message to Parents | 5 |
| Loading, Accessories & Modifications | 8 |
| Loading | 8 |
| Accessories & Modifications..... | 10 |
| Safety Labels..... | 12 |
| | |
| OPERATING CONTROLS..... | 13 |
| Operation Component Locations | 14 |
| Operating Controls..... | 14 |
| Fuel Valve..... | 17 |
| Choke Lever..... | 18 |
| Ignition Switch..... | 19 |
| Engine Stop Switch..... | 20 |
| Front Brake Lever | 20 |
| Throttle..... | 20 |

| | |
|--|-----------|
| Shift Lever | 21 |
| Rear Brake Pedal..... | 21 |
| Kickstarter | 21 |
| Side Stand | 21 |
| | |
| BEFORE RIDING | 23 |
| Are You Ready to Ride ? | 24 |
| Protective Apparel | 24 |
| Is Your Motorcycle Ready to Ride ? | 26 |
| Pre-ride Inspection | 27 |

Table of Contents

| | |
|--|-----------|
| BASIC OPERATION & RIDING..... | 29 |
| Safe Riding Precautions..... | 30 |
| Starting & Stopping the Engine..... | 32 |
| Preparation | 32 |
| Starting Procedure..... | 32 |
| Flooded Engine | 34 |
| How to Stop the Engine | 34 |
| Shifting Gears | 35 |
| Braking | 37 |
| Parking | 38 |
| Post-ride Inspection | 39 |

| | |
|---------------------------------------|-----------|
| SERVICING YOUR HONDA..... | 41 |
| <i>Before You Service Your Honda</i> | |
| The Importance of Maintenance..... | 43 |
| Maintenance Safety..... | 45 |
| Important Safety Precautions..... | 45 |
| Maintenance Schedule | 47 |
| Maintenance Record | 51 |
| <i>Service Preparations</i> | |
| Maintenance Component Locations | 52 |
| Seat Removal | 55 |
| Front Fork Protector Removal | 56 |

(cont'd)

Table of Contents

SERVICING YOUR HONDA (cont'd)

Service Procedures

Fluids & Filters

| | |
|-------------------|----|
| Fuel..... | 57 |
| Engine Oil | 60 |
| Air Cleaner | 66 |

Engine

| | |
|-------------------------|----|
| Throttle | 69 |
| Clutch System | 72 |
| Valve Clearance | 74 |
| Engine Idle Speed | 77 |
| Spark Plug | 78 |
| Spark Arrester | 80 |

Chassis

| | |
|--------------------|-----|
| Suspension | 82 |
| Brakes..... | 85 |
| Wheels..... | 90 |
| Tires & Tubes..... | 95 |
| Side Stand | 99 |
| Drive Chain | 100 |

| | |
|-----------------------|-----|
| Appearance Care | 107 |
|-----------------------|-----|

TIPS..... 111

| | |
|------------------------------|-----|
| Preparing for a Ride..... | 112 |
| Transporting Your Honda..... | 114 |
| Storing Your Honda..... | 116 |
| You & the Environment..... | 119 |

Table of Contents

| | |
|---|------------|
| TAKING CARE OF THE UNEXPECTED..... | 121 |
| General Guidelines..... | 122 |
| If Your Engine Quits or Won't Start | 123 |
| If You Have a Flat Tire..... | 124 |
| If You Crash..... | 125 |
| If You Lose Your Key | 126 |
| If a Component Fails | 127 |
| TECHNICAL INFORMATION | 129 |
| Vehicle Identification | 130 |
| Specifications..... | 132 |
| Break-in Guidelines | 137 |
| Emission Control Systems | 138 |
| Oxygenated Fuels..... | 142 |

| | |
|--|------------|
| CONSUMER INFORMATION | 145 |
| Authorized Manuals..... | 146 |
| Warranty Coverage | 149 |
| Warranty Service..... | 150 |
| Contacting Honda | 151 |
| The Honda Rider's Club (USA only)..... | 152 |
| Your Honda Dealer | 154 |
| TABLE OF CONTENTS | 156 |
| INDEX..... | 160 |

QUICK REFERENCE

Index

A

| | |
|-------------------------------|----|
| accessories..... | 10 |
| air cleaner..... | 66 |
| air pressure, tires..... | 95 |
| altering your motorcycle..... | 11 |
| arrester, spark..... | 80 |

B

| | |
|-----------------------------------|-----|
| brakes, | |
| cable inspection/lubrication..... | 89 |
| lever, front..... | 20 |
| pedal, rear..... | 21 |
| shoe wear..... | 88 |
| braking..... | 37 |
| break-in guidelines..... | 137 |

C

| | |
|--------------------------------|-----|
| capacity, fuel..... | 58 |
| carburetor, | |
| idle speed..... | 77 |
| choke lever..... | 18 |
| cleaner, air..... | 66 |
| cleaning, appearance care..... | 107 |
| clearance, valve..... | 74 |
| clutch system, adjustment..... | 72 |
| color label..... | 131 |
| consumer information..... | 145 |
| controls, operating..... | 13 |
| customer service..... | 151 |

D

drive chain..... 100

E

education, rider 3, 153
emission control systems 138
engine number..... 130
engine,
 flooded 34
 idle speed..... 77
 pinging 57
 starting..... 32
 stop switch..... 20
 stopping..... 34
 won't start 123
environment, protecting 119

F

filter, air..... 66
flat tire 124
flooded engine, starting 34
fork..... 82
front brake,
 lever..... 20
 lever freeplay 85
front fork protector, removal 56
front suspension 82
front wheel removal 91
fuel,
 recommendation..... 57
 oxygenated 142
 tank capacity 58
 valve 17

Index

G

| | |
|-----------------------|-----|
| gap, spark plug | 78 |
| gasohol | 142 |
| gasoline | 57 |
| gears, shifting | 35 |

H

| | |
|---------------------------|-----|
| Honda, contacting | 151 |
| Honda service manual..... | 146 |

I

| | |
|-------------------------|----|
| idle speed, engine..... | 77 |
| inspection, | |
| post-ride | 39 |
| pre-ride | 27 |

K

| | |
|-------------------|-----|
| key, lost | 126 |
| kickstarter | 21 |

L

| | |
|---------------------|----|
| lever, | |
| front brake..... | 20 |
| shift | 21 |
| limit, weight | 9 |
| loading..... | 8 |

M

| | |
|---------------------------|-----|
| maintenance, | |
| component locations | 52 |
| record | 51 |
| safety | 45 |
| schedule..... | 47 |
| manual, service..... | 146 |
| modifications | 11 |

O

| | |
|-------------------------------------|-----|
| oil, engine..... | 60 |
| operating controls..... | 13 |
| operation component locations | 14 |
| over-revving..... | 35 |
| oxygenated fuels | 142 |

P

| | |
|----------------------------|----|
| parking | 38 |
| pedal, rear brake | 21 |
| pinging, engine..... | 57 |
| plug, spark | 78 |
| post-ride inspection | 39 |
| pre-ride inspection..... | 27 |

R

| | |
|-----------------------------------|--------|
| reserve capacity, fuel tank | 58 |
| rider training..... | 3, 153 |
| riding, | |
| basic operation | 29 |
| before | 23 |
| clothing..... | 24 |
| precautions | 30 |
| safety | 2 |

Index

S

| | |
|-----------------------------|--------|
| schedule, maintenance | 47 |
| service, | |
| customer | 151 |
| manuals | 146 |
| warranty | 150 |
| shifting gears | 35 |
| shoe, brake | 87 |
| side stand | 21, 97 |
| spark arrester | 80 |
| spark knock | 57 |
| spark plug | 78 |
| specifications | 132 |
| stand, side | 21, 99 |
| starting, engine | 32 |
| stop switch, engine | 20 |
| stopping engine | 34 |
| storage | 116 |

| | |
|-------------|----|
| suspension, | |
| front | 82 |
| rear | 83 |

T

| | |
|---------------------------------|--------|
| throttle | |
| freeplay | 69 |
| limiter | 31, 71 |
| operation | 20 |
| tires, | |
| air pressure | 95 |
| flat | 124 |
| replacing | 98 |
| towing | 35 |
| training, rider | 3, 153 |
| transporting | 114 |
| troubleshooting, starting | 123 |

U

unexpected problems 121

V

valve, fuel..... 17
vehicle identification no. (VIN)..... 130

W

warranty,
 coverage 149
 extended 149
 service 150
washing your motorcycle..... 108
weight limit 9
wheels..... 90

Quick Reference

The following is a brief, but important collection of information you need to know about your Honda. You'll also find space to record important notes.

How To Avoid Costly Repairs

Your Honda engine can be the most expensive component to repair. Proper maintenance, especially the use of the recommended fluids and filters, prevents premature wear and damage.

Frequent causes of costly engine repairs are:

- Engine oil: insufficient quantity, improper oil.
- Air cleaner: dirty, cleaned but not oiled, leaking because of improper installation (poor seal).

Frequent causes of costly chassis repair are:

- Chain: A loosely adjusted chain or a chain stretched because of lack of lubrication may come off and damage an engine case or wheel hub.
- Spokes: Loose spoke may break and damage the wheel hub or rim.

Record important information on the following page:

Quick Reference

Record important information here:

| | |
|------------------|--|
| VIN | |
| Engine No. | |
| Ignition Key No. | |
| Color Label | |
| Owner's: | |
| Name | |
| Address | |
| City/State | |
| Phone | |
| Dealer's: | |
| Name | |
| Address | |
| City/State | |
| Phone | |
| Service Mgr. | |

Quick Reference

| | |
|-------------------------|--|
| Initial Maintenance | about 100 miles (150 km) or 1 month. |
| Regular Maintenance | about every 600 miles (1,000 km) or 6 months. |
| Pre-ride Inspection | Check the following items each time before you ride (page 27): tires, spokes & rims, leaks, engine oil, fuel, drive chain, cables, nuts & bolts, spark plug & cap, throttle, and brakes. |
| Fuel/Capacity | unleaded gasoline, pump octane number of 86 or higher tank: 0.79 US gal (3.0 ℓ) reserve: 0.24 US gal (0.9 ℓ) |
| Engine Oil | API Service Classification SG or higher except oils labeled as energy conserving on the circular API service label, SAE 10W-30, JASO T 903 standard MA, Pro Honda GN4 or HP4 (without molybdenum additives) 4-stroke oil or equivalent |
| Maximum Weight Capacity | 88 lbs (40 kg) rider only (no passenger or cargo) and any accessories |
| Tires | Front: 2.50-10 33J, Rear: 2.50-10 33J Type: bias-ply, tube |
| Tire Pressure (cold) | Front: 15 psi (100 kPa , 1.0 kgf/cm ²) Rear: 18 psi (125 kPa , 1.25 kgf/cm ²) |
| Spark Plug | CR6HSA (NGK) or U20FSR-U (DENSO) |